

Basic Scale

PR2N-D/DU series



Simple Weighing Scale



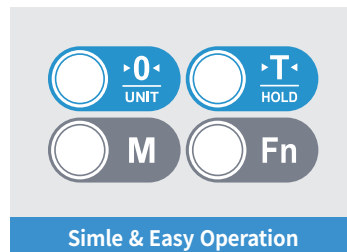
With its low-profile structure, PR2N-D/DU Simple Weighing Scale is perfectly suited for various environment, including market & shop, ensuring both convenience and efficiency. Also, It features a bright and clear LCD/LED display, along with versatile communication interfaces and power options.



Low-profile structure



Bright & Clear Display



Simple & Easy Operation



Fast & Accurate Weighing

FEATURES

Feature 1 Bright & Clear Display

- Easy to Check display information via Bright & Clean LCD/LED display
 - 6 digits LCD/LED display
 - Character Height : PR2N-CD (LCD) 16mm (with White backlight)
 - PR2N-ED/EDU(LED) Front : 17.3mm / DU Rear : 15mm



LCD Display with white backlight



LED Display

Feature 2 Low-profile Design

- Low-profile design enables easy weighing and optimal use of space.



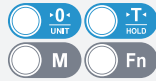
Feature 3 Fast & Accurate Weighing

- PR2N-D/DU series is equipped with CAS One-Chip, ensuring fast and accurate weighing performance.



Feature 4 Simple & Easy Operation

- Key: 4ea
Various Weighing Mode: General Weighing, Weight Comparison Mode, Counting Mode



Feature 5 Easy to Install

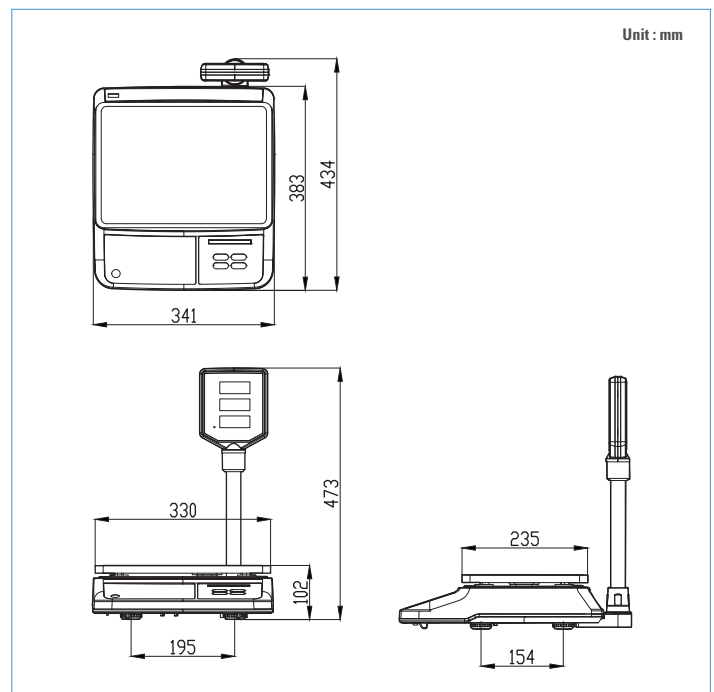
- 9-pin RS-232C and USB Type B communication (Optional, Available simultaneously)
- Powered by various sources
 - Rechargeable battery or AC adapter
 - Optional : 1.5V D size Dry battery x 3ea, USB Type B(5V) (not for charging)



SPECIFICATIONS

MODEL	PR2N-D/DU		
Capacity	3/6 kg	6/15 kg	15/30 kg
Readability	e=1/2 g	e=2/5 g	e=5/10 g
Resolution	Dual 1/3000		
Display	D type(LCD) : 6 digit LCD with backlight (Character Height : 29mm) D type(LED) : 7 Segment 6 digit LED (Character Height : 17.3mm) DU type(LED) : 7 Segment 6 digit LED x 2ea (Character Height Front : 17.3mm / Rear : 15mm)		
Symbols	STABLE, ZERO, TARE, g, kg, Low Battery, HI / OK / LO & PCS (STABLE, ZERO, TARE, g, kg, lb, oz, Low Battery, HI / OK / LO & PCS, LK, Power)		
Keys	ZERO/ TARE/ MODE / FUNCTION		
Functions	General Weighing, Counting Function : Counting Sample Range 10, 20, 50, 100, 200, 500 Weight Comparison Function : hi, ok, low, Backlight ON/OFF Control Function, Hold, Unit Conversion		
Power	4V / 4Ah Rechargeable(Pb) battery, 6 VDC Adapter, 1.5 V D size dry battery x 3ea(Optional), USB 5V(Optional)		
Battery Operation Time	LCD (BL off) : Approx. 360 hours (Pb Battery) / 540 hours (Alkaline) / 270 hours (Mn) LED : Approx. 240 hours (Pb Battery) / 360 hours (Alkaline) / 180 hours (Mn)		
Communication Interface (Optional)	RS-232C / USB type B (Power supply and communication support) - Available simultaneously		
Operation Temperature	-10 °C ~ +40 °C		
Platter size(mm)	330 (W) x 235 (D)		
Product size	D TYPE : 341 (W) x 383 (D) x 102 (H) DU TYPE : 341 (W) x 435 (D) x 474 (H)		
Weight(kg)	D type : 3.3 kg / DU type : 3.6kg		
Option	1.5V D size dry battery x 3ea, RS-232C, USB type B		

DIMENSIONS



OPTIONS

- Dry battery
- RS-232C
- USB type B (for communication and Power, not for battery charging)



Ver. 1.0.410152



CAS Global Homepage

CAS Co., Ltd

Headquarters : 262, Geurugogae-ro, Gwangjeok-myeon, Yangju-si, Gyeonggi-do, Korea
Seoul Office : CAS Building, 1315, Yangjae-daero, Gangdong-gu, Seoul, Korea
TEL : 82 2 2225 3500 FAX : 82 2 475 4668

www.globalcas.com



* Specifications are subject to change without notice improvement.