

Price Computing Scale

PR2N series



Price Computing Scale



With its low-profile structure, PR2N Price Computing Scale is perfectly suited for open market environments such as grocery stores and butcher shops, ensuring both convenience and efficiency. Also, It features a bright and clear LCD/LED display and 8 Direct PLUs, along with versatile communication interfaces and power options.



Low-profile structure



Bright & Clear Display



8 Direct PLUs



Fast & Accurate Weighing

▶ FEATURES

Feature 1 Bright & Clear Display

- Easy to Check display information via Bright & Clean LCD/LED display
- 6(Weight)/6(Unit Price)/6(Total Price) digits LCD/LED display
- Character Height : PR2N-CB/CP/CU(LCD) 16mm (with White backlight)
- PR2N-EB/EP/EU(LED) Front : 17.3mm / Rear : 15mm



LCD Display with white backlight



LED Display

Feature 2 Low-profile Design

- Low-profile design enables easy weighing and blends seamlessly into retail stores.



Feature 3 Fast & Accurate Weighing

- PR2N series is equipped with CAS One-Chip, ensuring fast and accurate weighing performance.



Feature 4 8 Direct PLUs

- With 8 direct PLUs, users can quickly call up products for fast and efficient operation.



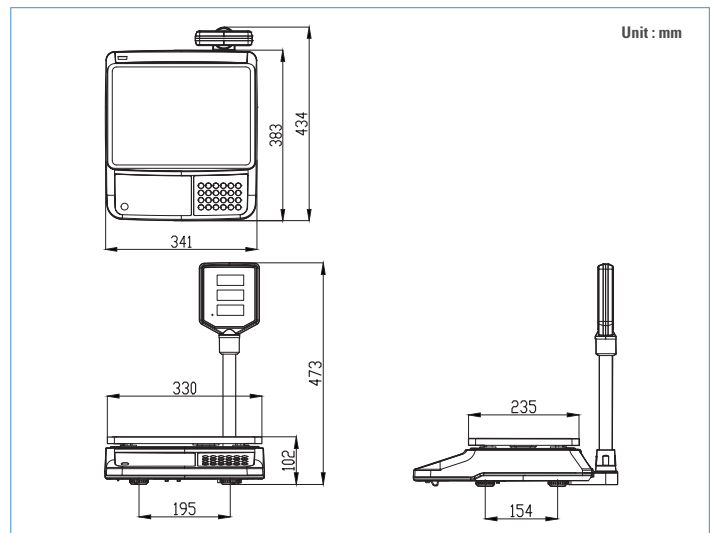
Feature 5 Various Communication Interfaces

- RS-232C, USB (Available simultaneously)
- Power supply and communication support via USB, making it easy to connect with external devices such as PCs and POS

▶ SPECIFICATIONS

Category	PR2N series				
	PR2N-C		PR2N-E		
Model	PR2N-C		PR2N-E		
Type	B	P	U	B	U
Capacity	3/6, 6/15, 15/30kg				
Readability	1/2g, 2/5g, 5/10g				
Resolution	Dual 1/3,000				
Display	LCD display(Height : 16mm) x 3ea with backlight - 6/6/6 digits (Weight/Unit Price/Total Price)		LED display x 3ea (Height : Front - 17.3mm / Rear - 15mm) - 6/6/6 (Weight/Unit Price/Total Price)		
Unit	kg, €(\$)/kg, €(\$)				
Key	Direct PLU : 8 keys Numeric : 10 keys, Function : 6 keys				
PLU memory	8ea				
Power	4V / 4Ah Rechargeable(Pb) battery, 6VDC Adaptor 1.5V D size Dry battery x 3ea(Optional), USB 5V(Optional) Compatible with both rechargeable and dry batteries				
Battery Life	<ul style="list-style-type: none"> • Rechargeable battery : Approx. 360 hours • Dry battery (BL off) : Alkaline - Approx. 540 hours / Mn - Approx. 270 hours 		<ul style="list-style-type: none"> • Rechargeable battery : Approx. 100 hours • Dry battery : Alkaline - Approx. 160 hours / Mn - Approx. 80 hours 		
Interface	Optional : RS-232C, USB				
Platter Size(mm)	330(W) x 235 (D), SUS				
Product Size(mm)	341(W) x 383(D) x 102(H)	341(W) x 434(D) x 473(H)	341(W) x 383(D) x 102(H)	341(W) x 434(D) x 473(H)	
Product Weight(kg)	3.24	3.52	3.24	3.52	
Option	RS-232C, USB (Compatible for simultaneous use with RS-232C interface) Dry battery				

▶ DIMENSIONS



▶ OPTIONS

- RS-232C
- USB
- Dry Battery

