

Waterproof Price Computing Bench Scale

EBW series



Waterproof Price Computing Bench Scale

EBW, Waterproof Price Computing Bench Scale is suitable for usage in agricultural and fish markets with IP66·67 rating water/dustproof structure. Also, it features large LCD display with 24 mm character height and enlarged Key so that user can easily check the display information and operate the scale.



IP66·67 Waterproof structure



Large and clear display



Long battery operation



Fast & accurate weighing

EBW series

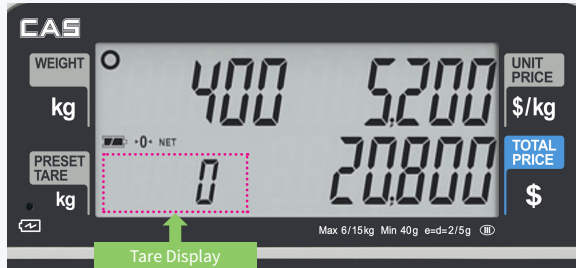
Large & clear display

Easy to Check display information via Large LCD with 24mm Character Height

▶ 5/6/7/5 digits

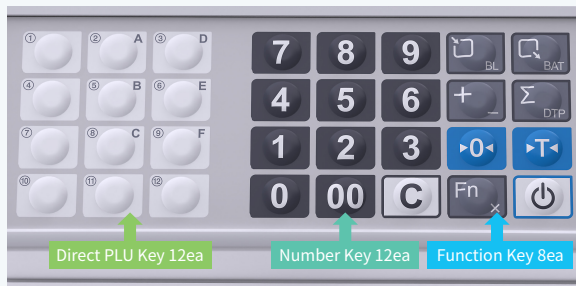
(Weight/Unit Price/Total Price/Tare)

▶ Equipped with backlight



Large key for easy operation

12 Direct PLU keys, 12 Numeric keys, 8 Function keys

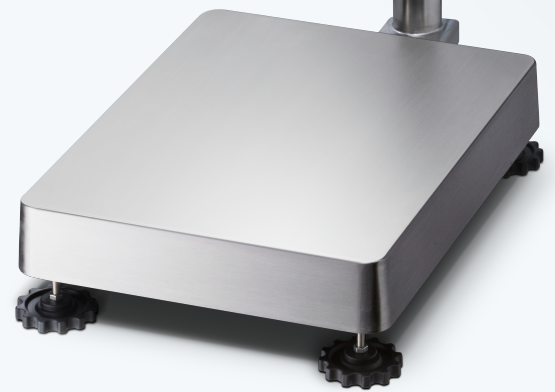


Long battery operation

- Built-in 7.3V 6Ah Li-ion battery
- Dual Display : 300hours (Backlight off)



EBW-15/30AS
(Round shape post pipe)



IP66 · 67 water/dustproof structure



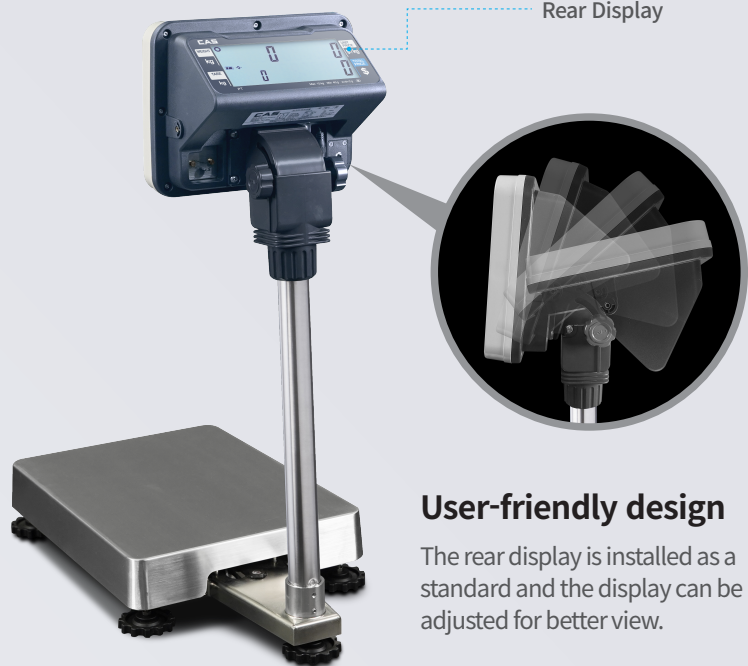
IP66 · 67 water/dustproof structure allows reliable use in humid environments such as agricultural and fish markets.

Fast & accurate weighing



EBW is equipped with CAS One-chip which guarantees fast and accurate weighing performance.

Waterproof Price Computing Bench Scale

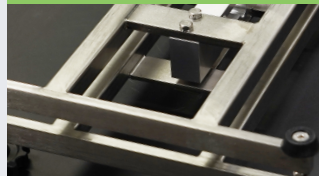



User-friendly design

The rear display is installed as a standard and the display can be adjusted for better view.

Various platforms and post pipes

Two types of platforms are applied depending on capacity. Users can choose between round and square shape post pipe.

| EBW-15/30AS | EBW-60/150AD |
|--|--|
|  |  |
| Platter Size : 308(W) x 408(D) mm Material : SUS304 Frame Material : SUS304 | Platter Size : 406(W) x 530(D) mm Material : SUS304 Frame Material : Aluminium die casting |

Specifications

| Model | EBW-AS | | EBW-AD | |
|----------------------|--|-------|--------------------------|------|
| Capacity (kg) | 15 | 30 | 60 | 150 |
| Readability (kg) | 0.002 | 0.005 | 0.01 | 0.02 |
| Resolution | 1/6,000 ~ 7,500 | | | |
| Display | LCD Display Digit and Character height : Weight-5digits 24mm / Unit price - 6digits 24mm / Total Price - 7digits 24mm / Tare - 5digits 16mm | | | |
| Key | 12 Direct PLUs, 12 Numeric keys, 8 Function Keys | | | |
| PLU memory | 200ea(Direct PLU : 12ea, Indirect PLU : 188ea) | | | |
| IP rating | IP66-67 | | | |
| Power | 7.3V 6Ah Li-ion battery & DC9V 1A adaptor (Adaptor cable length : Standard -1.8m(Option : 3m extension) | | | |
| Battery time | 300hours(Dual display, Backlight off) | | | |
| Interface | Option : RS-232C, BLE, 3m Power extension cable | | | |
| Operating temp. (°C) | -10 ~ +40 | | | |
| Platter size (mm) | 300(W) x 400(D) | | 400(W) x 520(D) | |
| Platter material | SUS304 | | | |
| Product size (mm) | 324(W) x 562(D) x 674(H) | | 421(W) x 651(D) x 790(H) | |
| Product weight (kg) | 8.8 | | 13.5 | |

Product line-up / dimension



A EBW-15/30AS
(Round shape post pipe)



B EBW-60/150AD
(Round shape post pipe)



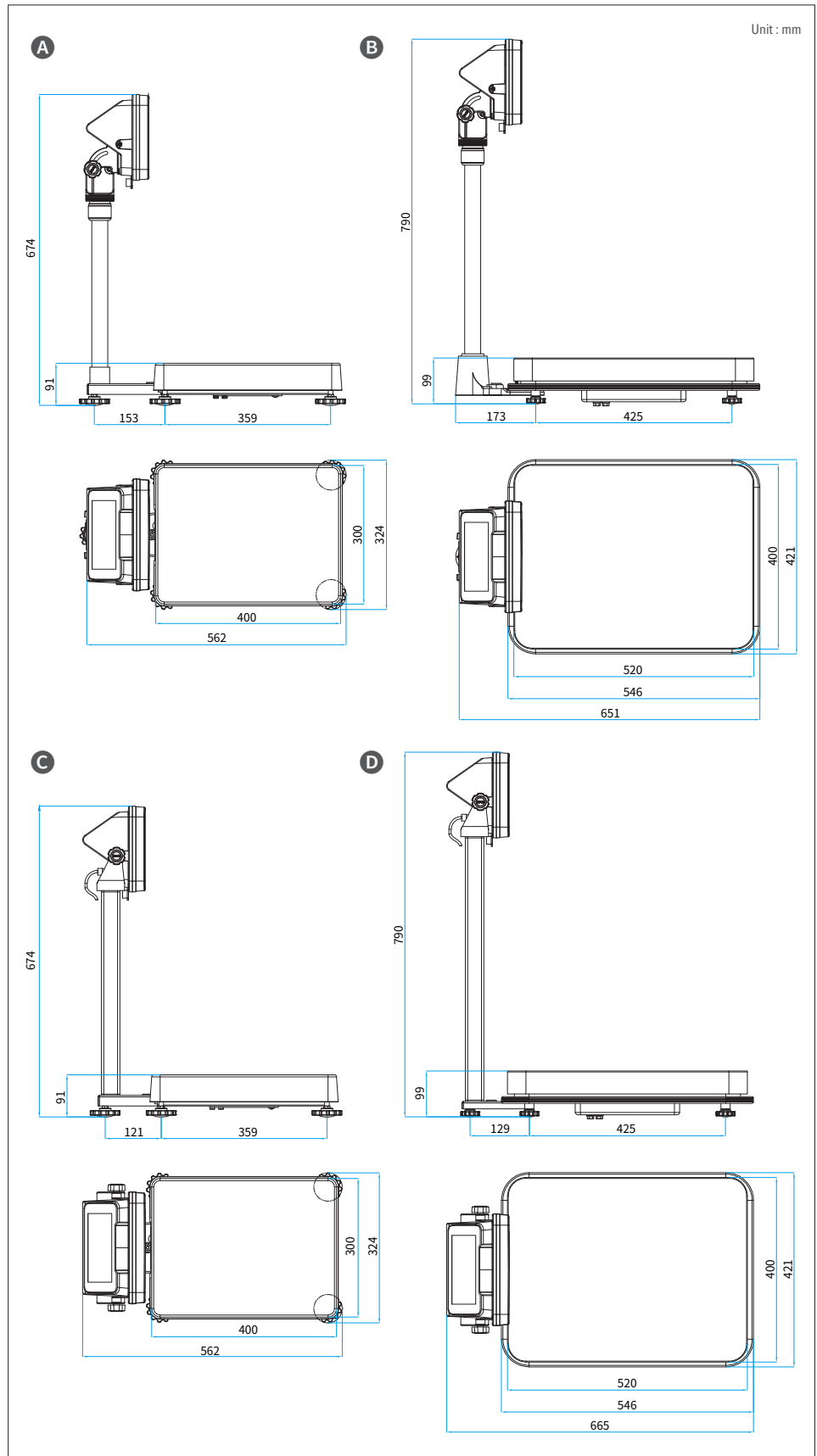
C EBW-15/30AS
(Square shape post pipe)



D EBW-60/150AD
(Square shape post pipe)

Features

- IP66 · 67 water/dustproof structure
- Large bright LCD display with 24mm of character height
- Large size key (Button)
- Fast and Accurate performance
 - Approved Resolution : 1/6,000~7,500
- Long battery operation
 - Dual Display : 300 hours (Backlight off)
- PLU Memory : 200ea
 - Direct PLU : 12ea / Indirect PLU : 188ea
- Interface
 - Option : RS-232C, BLE



Ver. 1.2_21805202



CAS Global Homepage

CAS Co., Ltd

Headquarters : 262, Geurugogae-ro, Gwangjeok-myeon, Yangju-si, Gyeonggi-do, Korea

Seoul Office : CAS Building, 1315, Yangjae-daero, Gangdong-gu, Seoul, Korea

TEL : 82 2 2225 3500 FAX : 82 2 475 4668

www.globalcas.com



* Specifications are subject to change without notice improvement.

