

CPS PLUS SERIES

Cost effective solution to weigh on the go!

CPS PLUS Pallet Scale raises efficiency for your work, simplifies logistic processes, and saves time and space.

It is the ideal solution for fast and precise mobile weighing in industrial and warehousing applications.



High-visibility LED display

2 Storage boxes

Polyurethane wheels



High-visibility LED display



2 Storage boxes



Polyurethane wheels



www.globalcas.com

CPS^{PLUS} SERIES

Pallet Scale

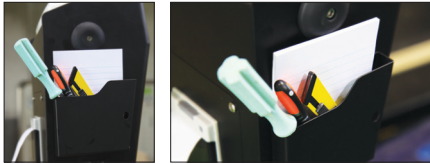


High-Visibility LED display



- You can easily see the weight value in any distance via clear LED display.

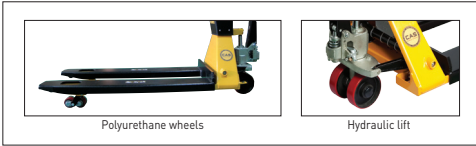
2 Storage boxes



It is easy and convenient to store documents and tools etc for your work with 2 storage boxes.

Solid and optimum design for logistics

- The solid design of CPS^{PLUS} increases the reliability and accuracy when weighing. In addition, because CPS^{PLUS} allows you to weigh while you transport goods, it can decrease work time and expenses.



Polyurethane wheels

Hydraulic lift

FEATURES

- Hydraulic lift and low
- Auto power off function
- LED lamp for battery status
- 2 Storage boxes
- High-visibility LED display
- 10 numeric keys & 5 function keys (full rubber type)
- Built in thermal printer (options)
- Durable polyurethane wheels
- Solid and optimum design for logistics

Application

- Material handling
- Warehousing
- Industrial applications

SPECIFICATIONS

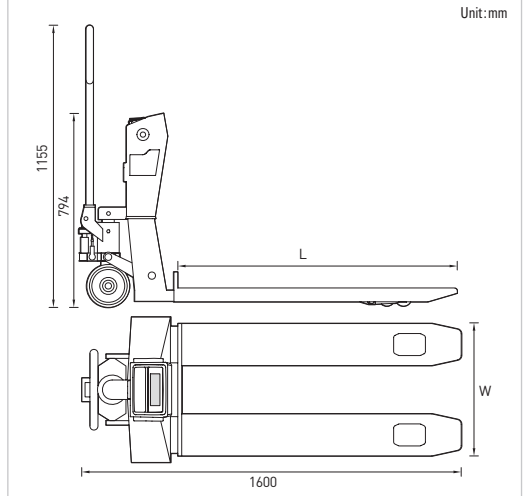
Model	CPS ^{PLUS-1}			CPS ^{PLUS-2}			
	Type	A	B	C	A	B	C
	Size	W(mm)	540	620	705	540	620
	L (mm)	1130	1130	1130	1130	1130	1130
Capacity(kg)	1,000			2,000			
Readability(kg)	0.5			1			
O overload protection(kg)	1,500			2,500			
Weight display	6 digits LED (Height:25mm)						
Power supply	DC 6V/ 5Ah Battery (AC 110V/220V Charger)						
Operating time	100 hours (continuous usage)						
Battery Charging time	12 Hours						
Operating Temp.	-10 C° +40 C°						
Option	Thermal Printer						

OPTIONS

- Thermal Printer



DIMENSIONS



Unit:mm

