



WE WEIGH THE WORLD

www.globalcas.com

All-in-one Multimedia Scale

CL7200 series



CL7200-D

All-in-one Multimedia Scale

Designed for weighing and label printing in the retail markets, CL7200 delivers utmost experience for every users. 10.2-inch touch display, paired with processors, graphics and a label printer - all within display enclosure for easy weighing and printing.



CL7200-U

CL7200-S2

CAS

CL7200 series

10.2" LCD Touch Screen

Full color 10.2" TFT LCD display presents pictures and PLUs vividly away from reflections. Smart touch function also provides easy navigation for fast access to the item to be weighed and printed.

PLU Setting

CL7200 touch screen allows 72 PLU keys on its home panel. The PLU keys are able to be customized as desired to suit your needs; you can also add PLU key pages for easy and intuitive access. Moreover, creating user ID is a great method for multi-operators in big markets.

You can also preset discount amount, product origins and printing condition and report sales data by hourly, daily and weekly, all depends upon your needs.



7" Display for Customers

The 7-inch TFT LCD display is not only for showing the product details but for advertising your products (or brand) for the customers. Along with its built-in speaker, the display will play images or videos to catch customer's attention.

Upon the height of the counter, you can adjust its angle, maximum 11°, for better view.



Line-Up



CL7200-U



CL7200-S2



Built-in Printer

CL7200 is equipped with the built-in type direct thermal printer for clear receipt and label print. Width of label size is maximum 60mm, providing 202dpi clear results with the printing speed up to 100mm/sec; and up to 65 label formats, 45 readymade and 20 editable templates, are available and barcode type and font can be adjustable.

① Print Area

Use width 60mm (56mm printable) and length 120mm labels.

② Easy Replacement

Simply easy to replace labels which takes only 10 seconds to complete. Label cover located at the side is designed to be easily disassembled for quick replacement.



Remote Firmware Update

Simply by connecting USB flash drive, CL7200 allows users to update firmware remotely via wireless LAN.



Key Sounds

Prompt your work with key sounds with its built-in speaker. CL7200 has two ways to set up the key sounds: sound effect and speaker sound in a scale parameter. Also, An external Speaker can be connected to the scale.

Software



Data Editing

CL-works pro offers easy-to-use data editing solution for businesses in retail markets. This solution manages all retail activities from PLUs to labels. Users can easily edit PLU info, set keypad and manage label formats.

Data Analysis

CL-works pro provides solution for analyzing sales data quickly, easily and accurately. The accumulated data would become an asset for users who want to get deeper insights from the data in order to make better predictions.

Compatibility

CL-works pro is compatible with all CL-series scales. Control multiple scales with one software remotely and experience CAS' full package of supports for efficient management of whole retail process.

Specialty of CL7200-D

Move Intuitively, Weigh Easy



For Low Counters

CL7200D is perfectly good fit for the users who want to view the screen at their eye level. By positioning both display and printer at the operators' eye level, CL7200D is ideal for low counters, resulting in the weighing, printing and controlling much easier.



Soft Keys for Quick Access

Another great feature of CL7200D is its 32 soft keys located next to the touch screen. Operators are able to navigate PLUs, access to menu and print labels quickly using the soft keys. Sometimes, physical soft keys are easier and faster than the touch screen keys.



Easy Load

Find the label printer near the large LCD display. By locating the printer at the head enclosure, away from the weighing part, users are free to load any items on the plate without the need for any possible dust or water events.



7" Display for Customers

Features

- Double Body Design for Low Counter Space
- Accurate Weighing and printing Performance
- 10.2-inch LCD Full Touch Display for Operator
- 7-inch LCD Display for Customer
- Quick Access to PLU with 32 Soft Keys
- Built-in Printer
- Quick & Easy Label Replacement
- Fast 100mm/sec Printer Speed
- 45 Label Formats and 20 More Customizing Formats Available
- Key sounds
- Firmware Update using a USB flash drive

Interfaces

- RJ11 for cash drawer
- RS232C
- Two USB Ports
- LAN

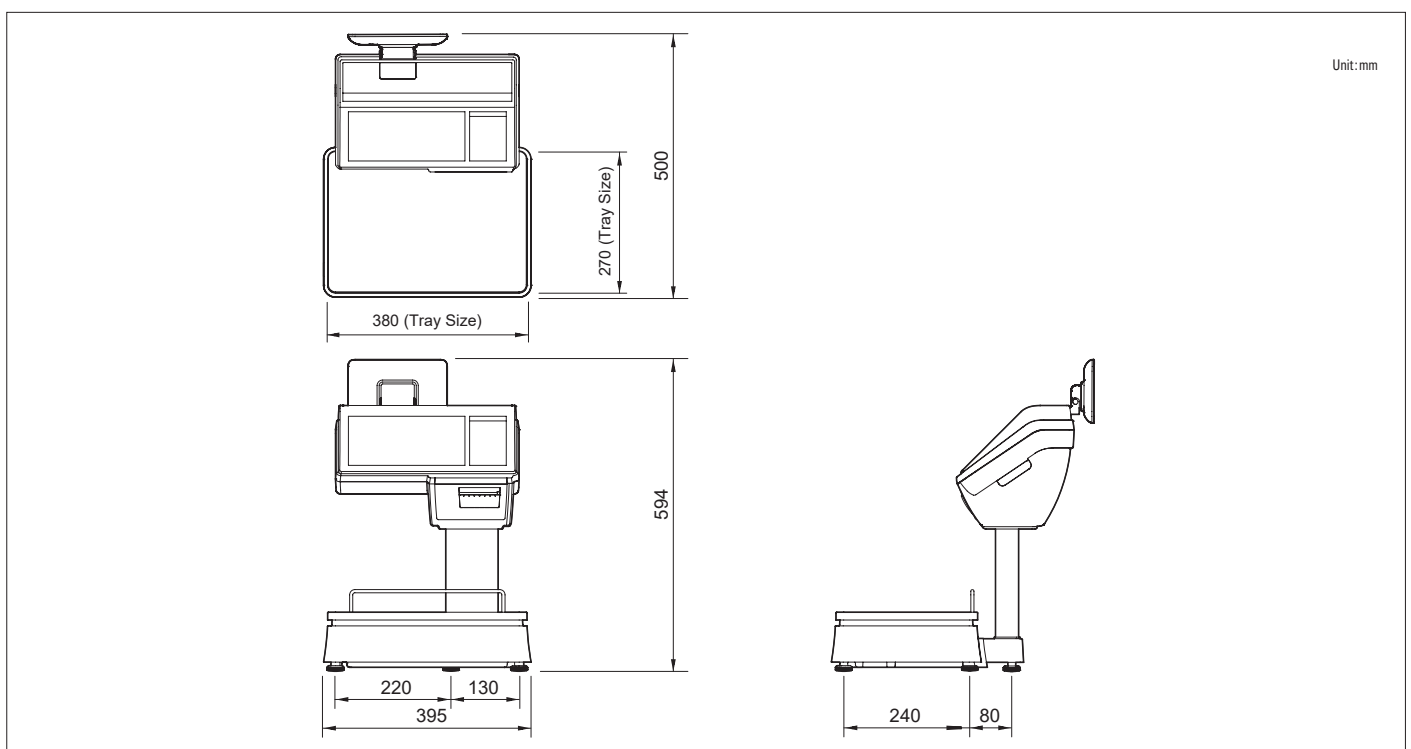
Applications

- Franchise shop
- Supermarket
- Bucher shop

Options

- Wireless LAN
- Platter with back rail
- PLU plastic cover
- CL-Works pro

Dimension



Specifications

MODEL	CL7200-D					
Max. Capacity	3/6 kg	6/15 kg	15/30 kg	6/15 lb	15/30 lb	30/60 lb
Interval	1/2 g	2/5 g	5/10 g	0.002/ 0.005 lb	0.005/ 0.01 lb	0.01/ 0.02 lb
Max. Tare	-2.999 kg	-5.998 kg	-9.995 kg	-5.998 lb	-9.995 lb	-29.99 lb
A/D Conversion Rate	Approx. 8 times/sec.					
Measurement Type	Load Cell					
Platter Size	U Type : 380 x 250 mm , D Type : 380 x 270 mm					
Key	72 PLU key, 36 function key, 8 fixed key, 144 PLU					
Display	Operator			Customer		
	10.2 inch Graphic Touch LCD Tare : 4 digit Weight : 5 digit Unit Price : 6 digit Total Price : 6 digit			7 inch Graphic LCD Tare : 4 digit Weight : 5 digit Unit Price : 6 digit Total Price : 6 digit		
Speed	100 mm/sec					
Printing Resolution	202 dpi					
Label Size	Width: 40 mm~60 mm Length: 20 mm~120 mm					
Barcode Type	UPC, EAN13, EAN13A5, I2OF5, CODE128, CODE39, CODE93, CODABAR, MSI/PLESSEY, IATA2OF5					
Font	Small, Middle, Large Size, Free Format, Italic, Bold, Underline, Through Line, Double through line, Reverse, shadow, outline					
Printer Type	Direct thermal print					
Operating Temp.	-10°C ~ 40°C (14°F ~ 104°F)					
Power	AC 100 ~ 240V 50/60Hz 1.5A					

CL7200-U



Features

- Compact Design for Middle Counter Space
- Accurate Weighing and printing Performance
- 10.2-inch LCD Full Touch Display for Operator
- 7-inch LCD Display for Customer
- Built-in Printer
- Quick & Easy Label Replacement
- Fast 100mm/sec Printer Speed
- 45 Label Formats and 20 More Customizing Formats Available
- Key sounds
- Firmware Updates using a USB flash drive

Interfaces

- RJ11 for cash drawer
- RS232C
- Two USB Ports
- LAN



Large 10.2" user display screen

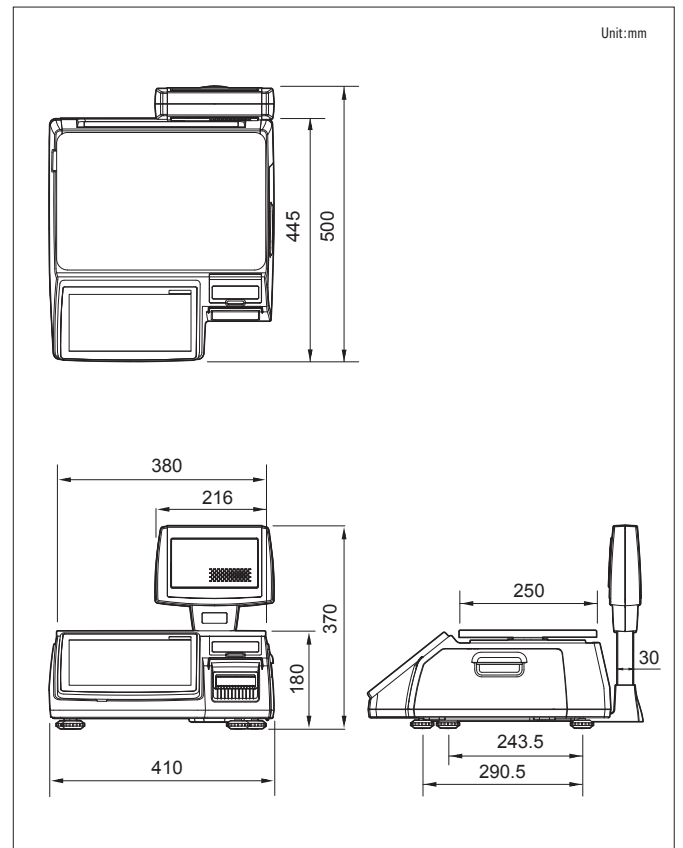


High resolution color display for the customers



High functional label printer

Dimension



CL7200-S2



Features

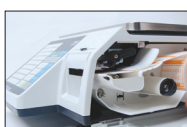
- Customer-friendly Self-service Scale
- Compact Design for Middle Counter Space
- Accurate Weighing and printing Performance
- 15-inch LCD Full Touch Display for Operator
- Built-in Printer
- Quick & Easy Label Replacement
- Fast 100mm/sec Printer Speed
- 45 Label Formats and 20 More Customizing Formats Available
- Key sounds
- Firmware Updates using a USB flash drive

Interfaces

- RJ11 for cash drawer
- RS232C
- Two USB Ports
- LAN



Splash resistant (water repellency for everyday use)

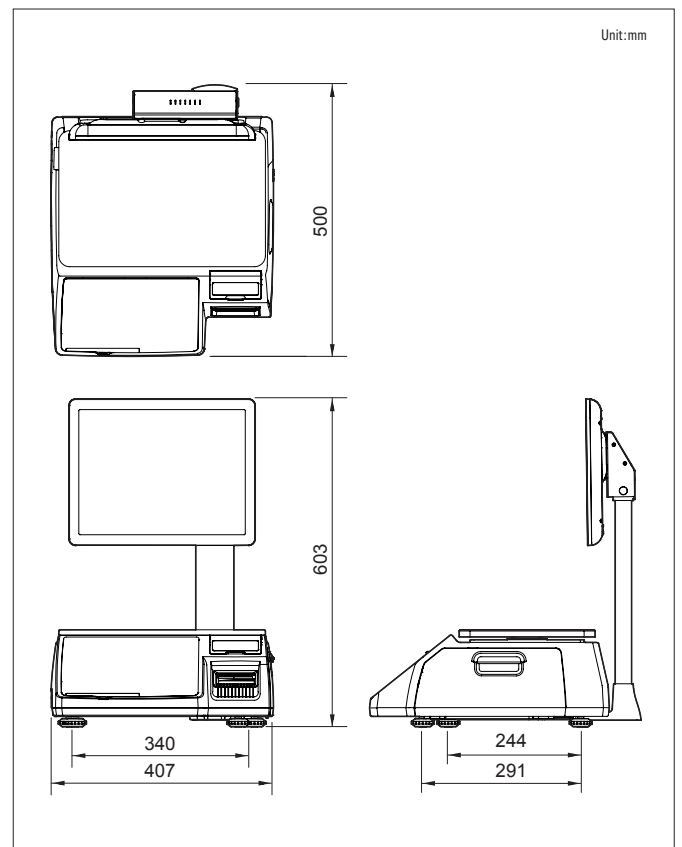


Convenient application of label cassette



Supports a diverse range of interfaces

Dimension





CL7200-D



CL7200-U



CL7200-S2



Specifications are subject to change without notice improvement.

CAS BLDG., 1315, YANGJAE-DAERO
GANGDONG-GU, SEOUL, KOREA
TEL_82 2 2225 3500 / FAX_82 2 475 4668

www.globalcas.com

