



WE WEIGH THE WORLD

Weighing Controller

# CI-400A SERIES



## Weighing Controller

CI-400A series is capable of fast and accurate weighing via high-performance A/D converter.

Suitable for a wide variety of applications from general platform scales to advanced weighing equipment such as hopper and packing scales.



Fast and accurate weighing



High-Visibility LED display



Three short-cut keys

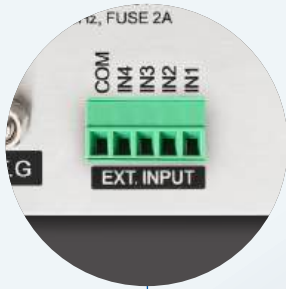


Optimized size for efficient use of space



# CI-400A SERIES

## Features



### Terminal block

Easy to wire with external equipments such as printers, PLCs, PCs and more via the terminal block.

### Fast and accurate weighing

CI-400A series provide high speed A/D conversion with excellent processing capabilities (5~320 times/sec), and high resolution display of 1/10,000, which make fast control and accurate weighing for all input range.

### Optimized size for efficient use of space

Product depth size is shortened 40% compared to former products, so user's can enhance space-utilization of weighing panels or cabinets.



## High visibility LED display

Via high visibility LED display, monitor weighing data more accurately. Also, sub displays on CI-405A/407A would make setting and data monitoring so much easier.

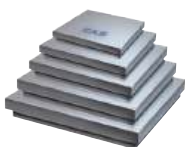
## Shortcut key setting(F1~F3)



Users can setup the 3 short-cut keys preferred or mostly commonly used functions for greater ease of use.

## Applicable to various processes

Suitable for a wide variety of applications ranging from general platform scales to advanced weighing and measuring equipment, such as hopper and packing scales, filling machines and more.



Platform



Filling machine



Packer Scale

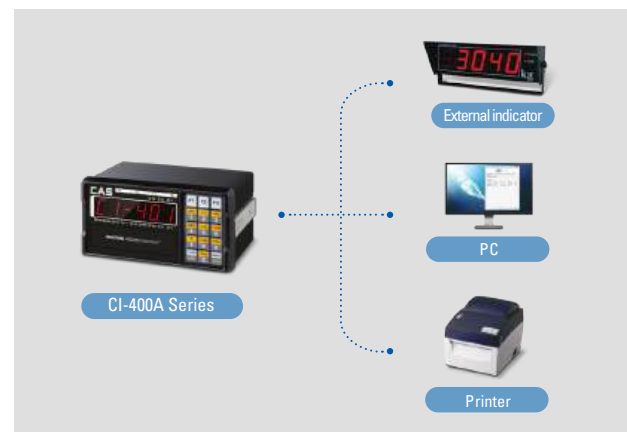
## Shielded against noise (RFI & EMI)



CI-400A's structure is shielded against noise such as RFI and EMI, offering supreme stability among harsh environmental conditions.

## Various interfaces

Applied with built-in serial communication(current loop, RS-232C\*2ea), CI-400A series can be used in conjunction with an external indicator, PC, or printer.



## CI-400A Series



### CI-401A

- Basic type
- External Input : 4ea
- Application: Tester, Platform scale, Animal scale, Truck scale etc.



### CI-405A

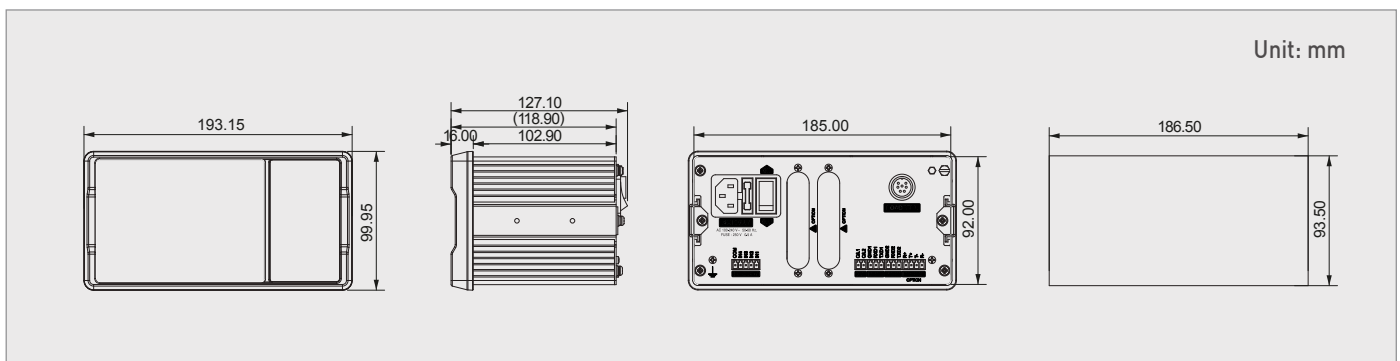
- 1~4step control
- External In/Output : 8ea / 6ea
- Sub display : ITEM, SP1, SP2, Count
- Application : Tester, Platform, Animal scale, Truck scale, Packing scale, Hopper scale etc.



### CI-407A

- Batching control / Loss-In-Weight function
- External In/Output : 8ea / 6ea
- Sub display : ITEM, FALL, FINAL, SP1, SP2
- Application: Tester, Platform, Animal scale, Truck scale, Packing scale, Checking scale, Hopper scale (for Loss-in-weight) etc.

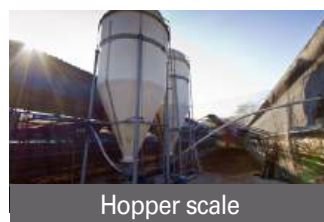
## Dimensions



## Specifications

Model		CI-401A	CI-405A	CI-407A
Loadcell excitation voltage		DC5V		
No. of Loadcell connection		8ea (350Ω)		
Loadcell Input Range		-2.0mV/V ~ 3.0 mV/V		
Input sensitivity		0.3 uV/D(CE), 0.2 uV/D (Non-approval)		
A/D external resolution		1/10,000(CE), 1/30,000 (Non-approval)		
A/D conversion speed		Up to 320 times/sec		
Display	Main	7-segment 6digits LED (Character Height : 20mm)		
	Sub	-	7-segment 4digits LED * 2ea 6digits LED * 2ea (Character Height : 8mm)	7-segment 6digits LED * 4ea (Character Height : 8mm)
Key		Numeric key, Function key x 5ea(F1~3, CLEAR, MENU)		
Status Lamp		Stable, Zero, Tare, G/N, Auto, Print, Hold, Rx, Tx	Stable, Zero, Tare, G/N, SP1, SP2, SP3, SP4(Finish),Comm	
Interface	Standard	RS-232C * 2ea(COM1, COM2), Current loop, External 4 Input		
	Optional	RS-485(supports Modbus RTU), Analog Output(0~10V, 4~20mA), BCD_In/Output,		
External In/Output		4 Inputs	8 In / 6 Outputs	8 In / 6 Outputs
Relay Mode		-	- Limit Mode 1,2 - Packer Mode 1,2 - Checker Mode 1~5 - Auto Tare Packer - Auto Tare Auto Packer1, 2	- Limit Mode - Packer Mode - Loss in weight (3step Discharge mode) - 1step Feed, 2step Discharge 1, 2 - 2step Feed, 1step Discharge - 3step Discharge Program Mode - 3step Discharge limit Mode - 2step Feed, 2step Discharge 1, 2
Operating Power	AC	AC100~240V 50/60Hz		
Operating Temp.		-10 °C ~ 40 °C		
Product Size		185 (W) x 103 (D) x 92 (H)		
Product Weight		1.2 kg		

## Applications



## Options

- RS-422/485(supports Modbus RTU protocol), Analog output, BCD In/Output
- Remote display(CD-3000 Series)
- Printers

