

Industrial Indicator

CI-170A



Fast and Accurate Industrial Indicator CI-170A

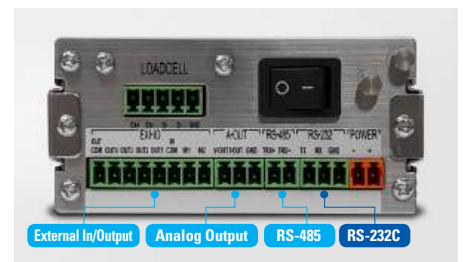
CI-170A provides a fast control and an accurate weighing in various industrial environments via up to 320times/sec of A/D conversion speed and 1/10,000 of high display resolution. Compact body designed according to DIN standard[96(W) x 48(H)mm] offers a space saving structure.; User can enhance a space utilization of weighing panels or cabinets. Also, Various Interface are available such as External I/O and Analog Output, RS-232C, RS-485.



Fast Control & Accurate Weighing Performance



Compact DIN Size Body & Clear LED Display



Various Interface

Feature

1. Fast Control & Accurate Weighing Performance

Via up to 320times/sec of A/D conversion speed and 1/10,000 of high display resolution, CI-170A provides a fast control and an accurate weighing performance.



2. Compact DIN Size Body & Clear LED Display

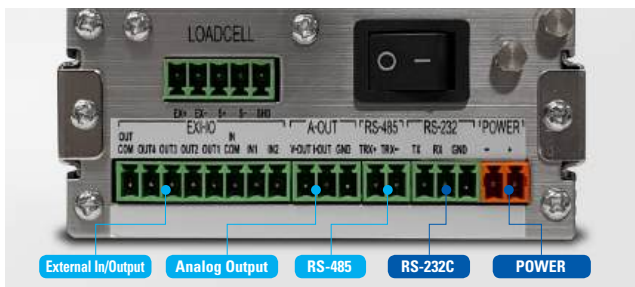
With Compact DIN size body, CI-170A is suitable to be installed in a small weighing panel. also user can easily check the weight value with clear LED display.



3. Various Interfaces

Various Interfaces of CI-170A make it easy to be connected with other equipments.

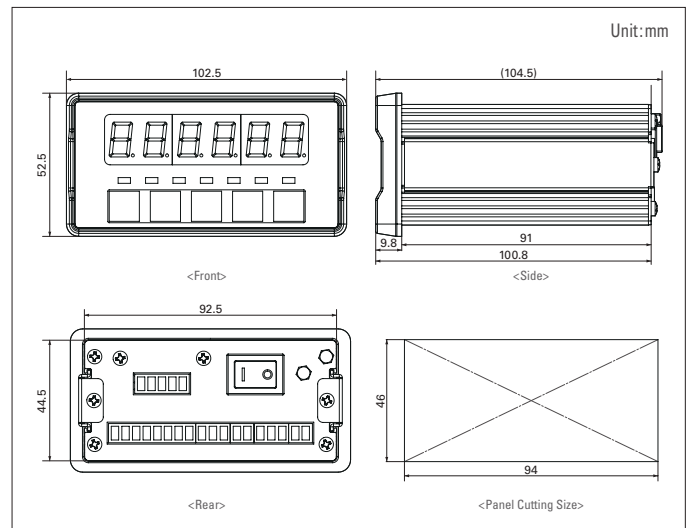
- Standard : RS-232C.
- Option : External 2In/4Output, RS-485(Supported Modbus RTU Protocol), Analog Output.



Specification

Model	CI-170A	
Loadcell excitation voltage	DC 5V	
Loadcell connection	8 EA (350Ω)	
Zero adjust range	0.05mV ~ 5mV	
Input sensitivity	0.2 uV/D (Non Approval), 0.36 uV/D (CE)	
A/D internal resolution	1/1,000,000	
A/D external resolution	1/30,000 (Non Approval), 1/10,000 (CE)	
A/D conversion speed	Max. 320 times/sec	
Display	LED (6 digits, Height : 13mm)	
Key	5 Function key	
Interface	Standard	RS-232C
	Option	RS-485(Supported Modbus RTU), RTC, External 2In/4Output, Analog Output
Power	DC 9 ~ 24V, 1.25A	
Operating Temperature	-10 °C ~ 40 °C	
Product Size (mm)	102.5(W) × 52.5(H) × 100.8(D) [Panel Cutting Size : 94(W) × 46(H)]	
Product Weight	Approx. 0.4 kg	

Dimension



Application

- Filling Machine, Hopper Scale
- Platform Scale



Option

- RS-485 (Supported Modbus RTU)
- RTC (Real Time Clock)
- Analog Output (0~20mA, 0~24mA, 4~20mA, 0~5V, 0~10V, ±5V, ±10V)
- External 2 Input/4 Output
- Adaptor (DC 12V, 1.25A)

