

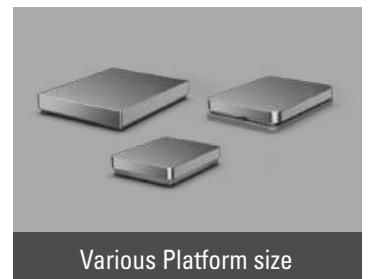
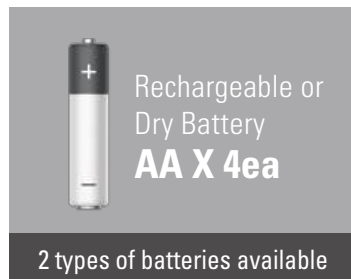
Bench Scale

CB SERIES



Bench Scale

CB series bench scale is ideal for using in general weighing and simple counting, comparison weighing applications in production, packaging, warehouse, inventory, shipping and receiving areas. Also, it features large LCD/LED display, various weighing functions and communication interfaces.



CB SERIES

■ Features



1. High-Visibility display

Bright and clear LED/LCD display makes it to easily see the weight value.



LED display (Character Height: 25mm, 6 digits)



LCD display (Character Height: 38mm, 6 digits)

2. Various Communication Interfaces

- Standard : RS-232C
- Option : RS-485, USB(B type), BLE(Bluetooth)
(Only one can be selected)



3. 2 Types of Battery Available

CB series can be operated with either DC adaptor with 4 x AA size Rechargeable or Dry batteries. so, it can be operated in any environments, whether external power supply is available or not.

- Standard
4 x AA 1.2V Ni-MH Rechargeable Batteries & DC 6V 1A AC Adaptor
- 4 x AA 1.2V Alkaline Dry battery type(Factory option)

* In case of rechargeable battery type, dry batteries can be used for it as well, but do not connect it with adapter power while using dry batteries

4. Variety of Platform Size and Capacity

Various sizes & capacities of CB series provide most suitable solution for your application.

Model	Platform Size(WxD, mm)	Capacity(kg)	Resolution
CB	400x500	60, 150, 300 (300 : Non-Approval)	Dual 1/3,000
CBB	280x280	6, 15, 30	
	420x510	60, 150	
CBB360	360x460	60, 150	
CBB460	460x570	60, 150, 300 (300 : Non-Approval)	
CI-100A/SPS	500x600 - 800x900	150, 300, 600	Single 1/3,000

5. Rugged Structure and High-quality Powder Coating

- CB, CBB360, CBB460, CI-100A/SPS : Tubular steel platform(base)
- CBB : Aluminum diecasting platform(base)
- Stainless steel platter

6. Options

- RS-485, USB, BLE(Bluetooth)
(Only one can be selected)
- Printer : DEP-50(Ticket),
DLP-50(Label)



Ticket



Label

CI-100 Series Indicator

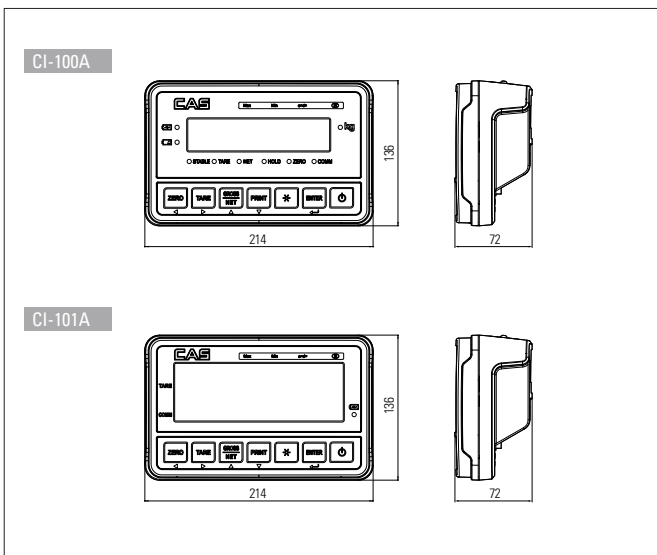
■ Specification



Model	CI-100A	CI-101A			
Load Cell Input Voltage	DC 3.3V				
Load Cell Connection Type	4 wire				
Load Cell Connection No.	1ea (3500)				
Zero adjust range	0.05-5mV				
Input Sensitivity	1.2uV/D				
External Resolution	Dual 1/3,000(OIML), 1/5,000(Max)				
A/D conversion speed	10 times/sec				
Display	6digits LED (Character Height : 25mm)	6digits LCD (Character Height : 38mm)			
Key	7 Keys				
Status Lamp	Low Battery, Charging, Stable, Zero, Net, Hold, Tare, Communication, kg	Battery gauge, Charging, Stable, Zero, Net, Hold, Tare, Communication, kg, Low, OK, High			
Function	General Weighing Accumulative Weighing Hold	General Weighing, Counting Counting Comparison(Hi/Lo/Ok) Weighing Comparison(Hi/Lo/Ok) Accumulative Weighing Percent Weighing, Hold			
Communication	Standard	RS-232C			
	Option	RS-485, USB (only for data communication), BLE *Only one can be selected.			
Port	1 Port for Standard, the other one for option (in case of use)				
Power	1. 1.2 V Ni-MH Rechargeable Battery AA Size x 4ea (Standard) 2. DC 6V 1A AC Adaptor (Standard) 3. 1.5 V Alkaline Dry Battery AA Size x 4ea (Dry battery type: Factory option)				
	Usage type	Continuous Use	Sleep Mode Use	Continuous Use	Sleep Mode Use
	Battery Operating Time	2300mAh Ni-MH Rechargeable battery 35 hours	Max. 70 hours	60 hours	Max. 90 hours
	2800mAh Alkaline Dry battery	45 hours	Max. 85 hours	75 hours	Max. 120 hours
Battery Charging Time (2300mAh Ni-MH Rechargeable battery)	9 hours				
RTC (Real Time Clock)	Applied				
Connectable Printer	DEP-50, DLP-50				
Operating Temperature (°C)	-10~ 40				
Product Size (WxDxH, mm)	214 x 70x 136				
Product Weight (g)	500				
Option	RS-485, BLE, USB, Dry battery type (Factory option), Fixed bracket for 38mm Pole, Wall-mount Bracket (only for Indicator)				

* In case of rechargeable battery type, dry batteries can be used for it as well, but do not connect it with adapter power while using dry batteries

■ Dimension



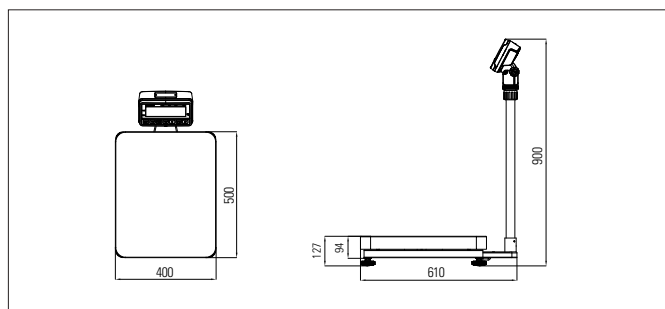
CB Bench Scale

■ Specification



Model	CB-E(LED)			CB-C(LCD)		
Max.Capacity (kg)	30/60	60/150	150/300(Non-Approval)	30/60	60/150	150/300(Non-Approval)
Readability (g)	10/20	20/50	50/100	10/20	20/50	50/100
Resolution	Dual 1/3,000					
Platform Size (WxD, mm)	400 x 500					
Product Size (WxDxH, mm)	400 x 610 x 900					
Product Weight (kg)	15					

■ Dimension



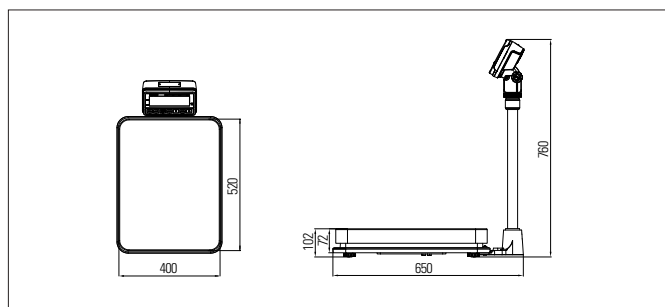
CBB Bench Scale

■ Specification



Model	CBB-E(LED)					CBB-C(LCD)				
Max.Capacity (kg)	3/6	6/15	15/30	30/60	60/150	3/6	6/15	15/30	30/60	60/150
Readability (g)	1/2	2/5	5/10	10/20	20/50	1/2	2/5	5/10	10/20	20/50
Resolution	Dual 1/3,000									
Platform Size (WxD, mm)	280 x 280		400 x 520			280 x 280		400 x 520		
Product Size (WxDxH, mm)	280 x 370 x 530		415 x 650 x 760			280 x 370 x 530		415 x 650 x 760		
Product Weight (kg)	5		14.7			5		14.7		

■ Dimension



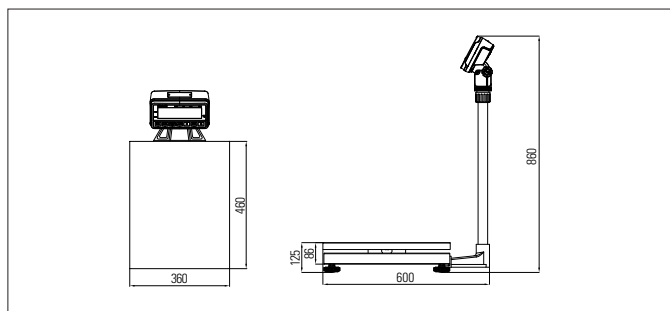
CBB360 Bench Scale

■ Specification



Model	CBB360-E(LED)		CBB360-C(LCD)	
Max.Capacity (kg)	30/60	60/150	30/60	60/150
Readability (g)	10/20	20/50	10/20	20/50
Resolution	Dual 1/3,000			
Platform Size (WxD, mm)	360 x 460			
Product Size (WxDxH, mm)	360 X 600 X 860			
Product Weight (kg)	14.7			

■ Dimension



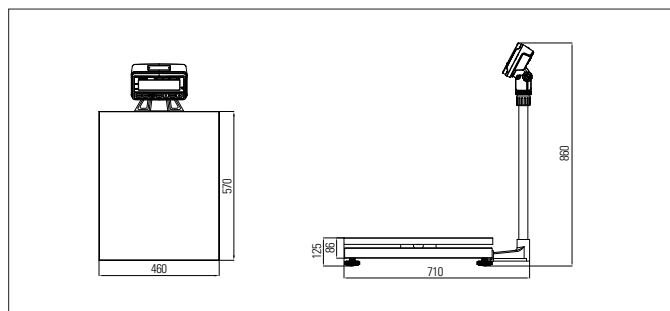
CBB460 Bench Scale

■ Specification



Model	CBB460-E(LED)			CBB460-C(LCD)		
Max.Capacity (kg)	30/60	60/150	150/300(Non-Approval)	30/60	60/150	150/300(Non-Approval)
Readability (g)	10/20	20/50	50/100	10/20	20/50	50/100
Resolution	Dual 1/3,000					
Platform Size (WxD, mm)	460 x 570					
Product Size (WxDxH, mm)	460 X 710 X 860					
Product Weight (kg)	20					

■ Dimension



CI-100/SPS Bench Scale

■ Specification



Model	CI-100A/SPS5060		CI-100A/SPS6070		CI-100A/SPS7080		CI-100A/SPS8090			
Max.Capacity (kg)	150	300	150	300	600	300	600	300	600	
Readability (g)	50	100	50	100	200	100	200	100	200	
Resolution	1/3,000									
Platform Size (WxD, mm)	500 x 600		600 x 700		700 x 800		800 x 900			
Product Size (WxDxH, mm)	500 X 750 X 875		600 X 850 X 875		700 X 950 X 875		800 X 1050 X 875			
Product Weight (kg)	22.5		31.5		39.7		46.8			

■ Dimension

