

CAS BIGPOS Self-Service Kiosk



Features

- 27" FHD Display Kiosk with PCAP Touchscreen
- Intel® Core™, Pentium®, Celeron® Processors
- Windows and Android OS Supported
- Optional Scanner, MSR/SCR, NFC, Printer, Camera
- Modular Design for Effortless Setup
- Quick Access to Components for Easy Maintenance
- Flexible Installation on a Floor, a Wall or a Table
- Compact, Slim, Elegant
- Customizable for Individual Business Needs

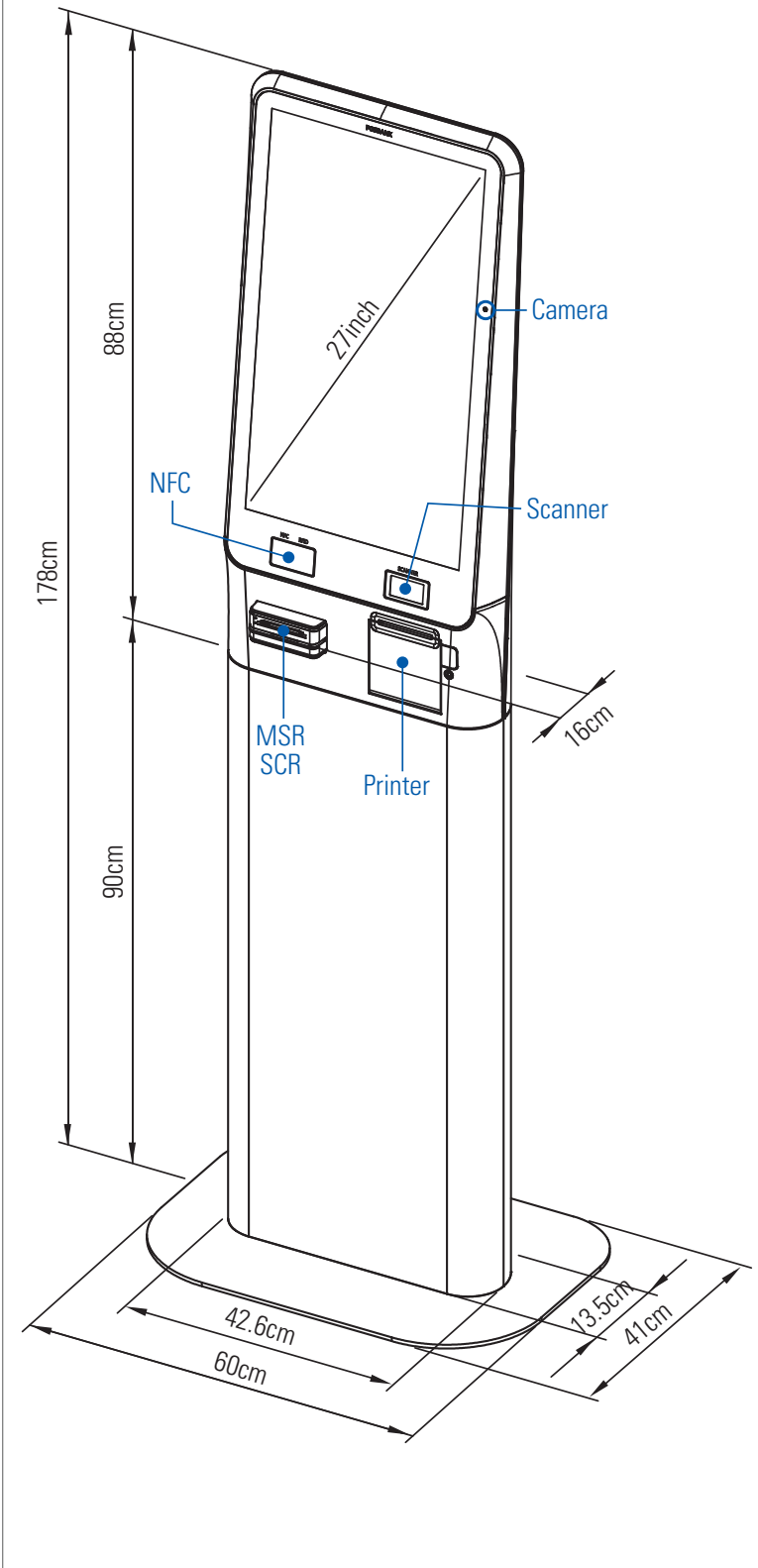
Specifications

	Windows	Android	
System	Processors	Intel® Core™ i5-7200U (3M Cache, Up to 3.1 GHz, 2 Cores) Intel® Pentium® 4415U (2M Cache, 2.3 GHz, 2 Cores) Intel® Celeron® J1900 (2M Cache, Up to 2.42 GHz, 4 Cores), Fanless	Cortex™ A17 Quad-Core (Up to 1.8GHz)
	Chipset	ITE Tech IT8786E (Core/Pentium) Intel® Bay Trail (Celeron)	
	Memory	4GB Standard, DDR4 2133 MT/s, Socket 1 x SODIMM (Max. 16GB) (Core/Pentium) 4GB Standard, DDR3L 1600 MT/s, Socket 1 x SODIMM (Celeron)	1GB Standard, DDR3L 1600 MT/s, On-board (Max. 2GB Optional)
	Storage	SATA 3 (6Gb/s) 2.5 inch SSD 64GB, Support AHCI (Core/Pentium) SATA 2 (3Gb/s) 2.5 inch SSD 64GB, Support AHCI (Celeron)	eMMC 8GB, On-board, (Max. 64GB Optional)
	Operating Systems	Windows 7, Windows 8.1, Windows 10 IoT Enterprise, POS Ready 7	Andoird 7.X (Nougat)
	Audio	Realtek ALC662-VD	Realtek ALC5640
Display	Type	27" TFT LCD, LED Backlight	
	Resolution	1080 x 1920	
	Brightness	300 cd/m ² (typ.)	
	Touchscreen	Projective Capacitive Touch	
	Response	12 ms	
	Contrast Ratio	3000 (typ.)	
Interface	USB	Core/Pentium 6 (Rear 2, Back 4, USB 3.0 x 2, USB 2.0 x 4) 3 (Reserved for MSR, SCR, i-Button/Touch Controller/Camera), RJ-45 Celeron 6 (Rear 2, Back 4, USB 2.0 x 6) 3 (Reserved for MSR, SCR, i-Button/Touch Controller/Camera), RJ-45	6 (Rear 2, Back 4, USB 2.0 x 6) 3 (Reserved for MSR, SCR/ Touch Controller/Camera), RJ-45
	Serial	6 (COM 1 with 5V/12V Power Output on 9 Pins, BIOS, Reserved for NFC) (COM2-3 RJ-45 , Full Signal), Reserved for Cash Module) (COM4 RJ-11, Only TX/RX, 12V Power Output, Reserved) (COM5 Reserved for Printer) (COM6 RJ-45, Only TX/RX, 5V Power Output, Reserved for MSR, IC Card)	
	LAN	1 x Gigabit Ethernet, RJ-45	
	Power DC-IN	1 x (3 Pin Connector)	
Power	Power Supply	Adaptor 24V, 6A	
Pedestal	Material	Galvanized Steel Plate	
	Material Thickness	1.2T	
	Component Access	Security Locks with 7-Pin Tumbler / Rear Security Door	
Physical & Environmental	Operating Temperature	0 °C ~ 60 °C at 10% to 90% Humidity	
	Storage Temperature	-20 °C ~ 80 °C at 10% to 90% Humidity	
	Dimensions (W x H x D)	42.6x 178 x 13.5 cm, 16.7 x 70.0 x 5.3 in	
	Packing Dimensions (W x H x D)	100 x 57 x 26 cm, 39.3 x 22.4 x 10.2 in (System) 100 x 57 x 26 cm, 39.3 x 22.4 x 10.2 in (Pedestal, Baseplate)	
	Net Weight	36kg, 79.3lb (System, Pedestal, Baseplate)	
	Packing Weight	43kg, 94.7lb (System, Pedestal, Baseplate)	
	Certification	CE, FCC, KC	
	Color	High Gloss White, High Gloss Black, Custom Colors Available	
Options	Storage	2.5 inch SSD 128GB, HDD 500GB, 1TB	
	Built-in Printer	3" Jam-Free Thermal, Max. 250mm/s, Auto Cutter (Interface : Serial, USB)	
	Barcode Scanner	1D, 2D Barcode	
	Camera	2M USB Interface (Internal) (Factory Option)	
	Magnetic Stripe Reader	Comply with ISO 7811, Support 1 & 2 & 3 Track	
	Smart Card Reader	EMV Level 1, 2	
	NFC Reader	MIFARE, FeliCa, ISO/IEC 14443A, ISO/IEC 14443B, ISO/IEC 15693	
	Wall Mount Kit	VESA-Compatible, 100 x 100 mm, 200 x 200 mm	
	Speaker	2 x 5W (Stereo) (Factory Option)	
	WiFi	Mini PCIe for Wireless LAN (Core/Pentium) USB Dongle (Celeron)	On Board (Factory Option)
	Custom Options	Customer-Assigned EMV Terminal Bracket, Bill/Coin Acceptor, Document Reader (Passports/IDs), Ticket/Document Printer, UPS (Uninterruptible Power Supply)	

* Specifications may change without prior notice.



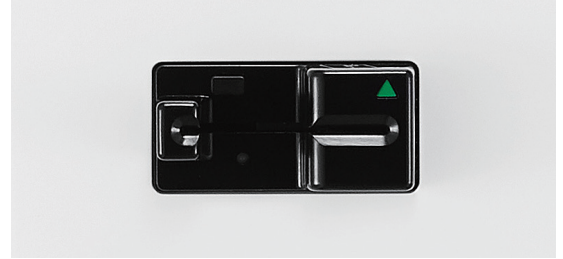
Dimensions



Applications

- Self-Service Kiosk in Retail and Hotel Segments
- Self-Order and Payment Kiosk in QSR
- Theater/Museum Ticket Kiosk
- Document Scanning/Printing Kiosk

Options



Payment

- MSR/SCR, Bill/Coin Acceptor
- Customer-Assigned EMV Terminal Bracket



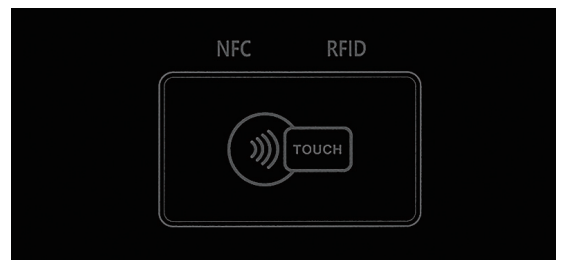
Built-in Printer

- 3", Speed up to 250 mm/s, Auto Cutter



Barcode Scanner

- 1D, 2D Barcode



NFC

- MIFARE, FeliCa, ISO/IEC 14443A
- ISO/IEC 14443B, ISO/IEC 15693



www.globalcas.com

CAS CORPORATION

CAS BLDG., 1315, YANGJAE-DAERO GANGDONG-GU, SEOUL, KOREA

TEL_82 2 2225 3500 / FAX_82 2 475 4668