

BSS

Stainless Steel Shear Beam Load Cell

- Available in 500 kgf up to 5 tf capacity
- Stainless steel
- Hermetically sealed



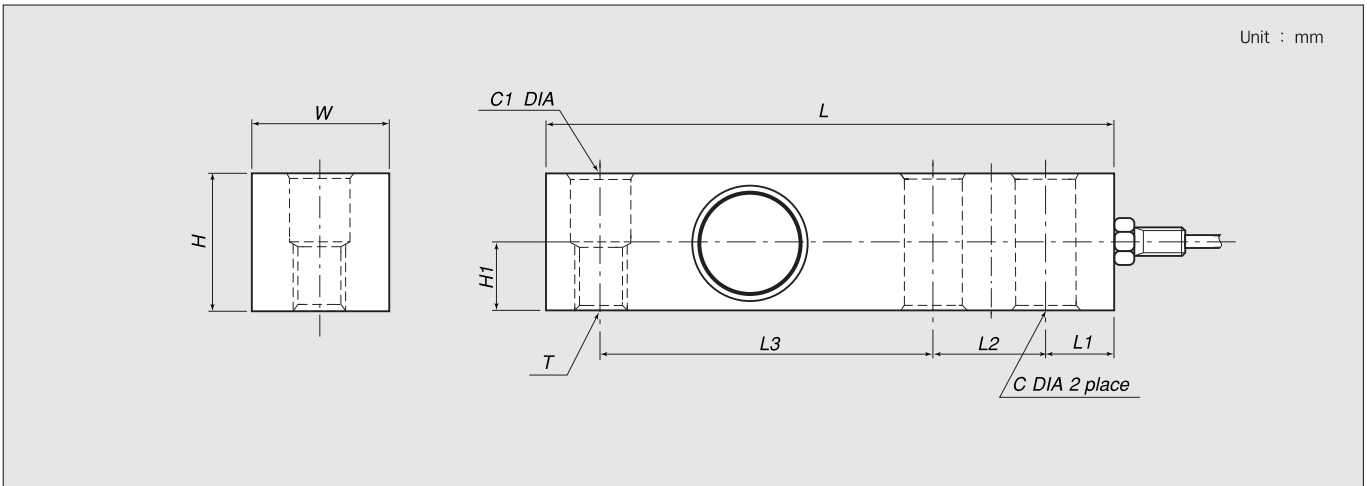
APPLICATION

- Floor scales
- Tank & Hopper scales
- Process control

CAS

BSS Stainless Steel Shear Beam Load Cell

DIMENSIONS



CAPACITY	C	C1	H	H1	L	L1	L2	L3	T	W
500 kgf, 1tf, 2tf	13.5	13.5	31.8	15.8	130	15.7	25.4	76.2	M12 × 1.75	31.8
3tf, 5tf	19.8	19.8	38.1	19.1	171.5	19.1	38.1	95.3	M18 × 1.5	38.1

SPECIFICATIONS

Rated Load (R.L.)	500kgf, 1tf, 2tf, 3tf, 5tf	
Rated Output (R.O.)	2 mV/V ± 0.25 %	
Accuracy Class	D3	C3
Combined Error	< 0.03% R.O.	< 0.02% R.O.
Repeatability	< 0.01% R.O.	< 0.01% R.O.
Creep (for 30 min) / -10°C to +40°C	< 0.03% R.O.	< 0.017% R.O.
Temperature Effect on Zero Value / 10°C	< 0.03% R.O.	< 0.011% R.O.
Temperature Effect on Output Value / 10°C	< 0.03% R.O.	< 0.012% R.O.
Recommended Excitation	DC 10V	
Maximum Excitation	DC 15V	
Zero Balance	± 1% R.O.	
Input Resistance	350 ± 3.5Ω	
Output Resistance	350 ± 3.5Ω	
Insulation Resistance	> 2000 MΩ	
Cable	5 m, 4 conductor with shield	
Compensated Temperature Range	- 10°C to +40°C	
Operating Temperature Range	- 30°C to +80°C	
Safe Overload	150% Rated Load	
Protection Class	IP 67	

ORDERING INFORMATION

CAPACITY	MODEL NO.
500 kgf	BSS - 500L
1 tf	BSS - 1
2 tf	BSS - 2
5 tf	BSS - 5

CABLE COLOR CODE

Red	+ Excitation
White	- Excitation
Green	+ Signal
Blue	- Signal
Black	Shield

CAS

CAS BLDG., # 440-1, SUNGNAE-DONG,
GANGDONG-GU, SEOUL, KOREA
TEL : 82 - 2 - 2225 - 3500
FAX : 82 - 2 - 475 - 4668
<http://www.cas.co.kr>

Specifications are subject to change for improvement without prior notice.