

# BSA



## Shear Beam Load Cell

- Available in 500 kg up to 5000 kg Capacity
- Nickel plated tool steel
- Environmentally sealed
- NTEP approved



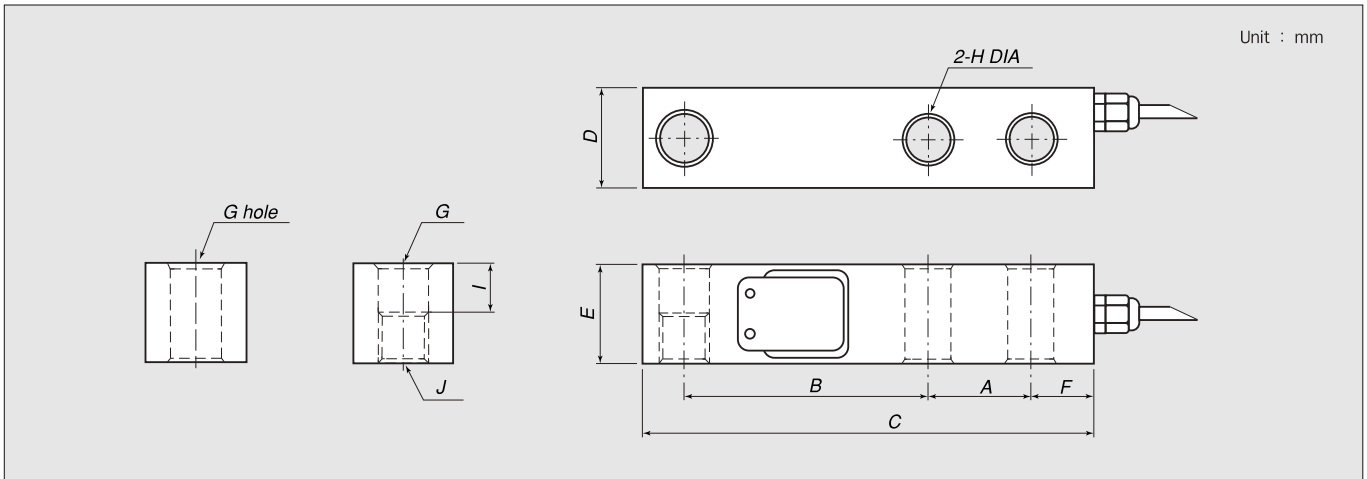
## APPLICATION

- Floor scales
- Tank scales
- Hopper scales
- Process control

# CAS

# BSA Shear Beam Load Cell

## DIMENSIONS



| CAPACITY       | A    | B    | C     | D  | E  | F    | G    | H    | I    | J           |
|----------------|------|------|-------|----|----|------|------|------|------|-------------|
| 500 kgf - 2 tf | 25.4 | 76.2 | 130   | 32 | 32 | 15.8 | 13.5 | 13.5 | 16.0 | M 12 × 1.75 |
| 3 tf - 5 tf    | 38.1 | 95.3 | 171.5 | 38 | 38 | 19   | 20   | 20   | 19   | M 18 × 1.5  |

## SPECIFICATIONS

|   |  |               |
|---|--|---------------|
| Rated Load (R.L.)                         | 250 kgf, 500 kgf, 1 tf, 2 tf, 3 tf, 5 tf |               |
| Rated Output (R.O.)                       | 3mV/V ± 0.25%                            |               |
| Accuracy Class                            | D 3                                      | C 3, A 5      |
| Combined Error                            | < 0.03% R.O.                             | < 0.025% R.O. |
| Repeatability                             | < 0.01% R.O.                             | < 0.01% R.O.  |
| Creep (for 30 min) / -10°C to +40°C       | < 0.03% R.O.                             | < 0.017% R.O. |
| Temperature Effect on Zero Value / 10°C   | < 0.028% R.O.                            | < 0.014% R.O. |
| Temperature Effect on Output Value / 10°C | < 0.015% R.O.                            | < 0.011% R.O. |
| Recommended Excitation                    | DC 10V                                   |               |
| Maximum Excitation                        | DC 15V                                   |               |
| Zero Balance                              | ± 1% R.O.                                |               |
| Input Resistance                          | 350 ± 3.5Ω                               |               |
| Output Resistance                         | 350 ± 3.5Ω                               |               |
| Insulation Resistance                     | > 2000 MΩ                                |               |
| Cable                                     | 5 m, 4 conductor with shield             |               |
| Compensated Temperature Range             | - 10°C to +40°C                          |               |
| Operating Temperature Range               | - 30°C to +80°C                          |               |
| Safe Overload                             | 150% Rated Load                          |               |
| Protection Class                          | IP 66                                    |               |

## ORDERING INFORMATION

| CAPACITY | MODEL NO.  |
|----------|------------|
| 250 kgf  | BSA - 250L |
| 500 kgf  | BSA - 500L |
| 1 tf     | BSA - 1    |
| 2 tf     | BSA - 2    |
| 3 tf     | BSA - 3    |
| 5 tf     | BSA - 5    |

## CABLE COLOR CODE

|       |              |
|-------|--------------|
| Red   | + Excitation |
| White | - Excitation |
| Green | + Signal     |
| Blue  | - Signal     |
| Black | Shield       |

# CAS

CAS BLDG., # 440-1, SUNGNAE-DONG,  
GANGDONG-GU, SEOUL, KOREA  
TEL : 82 - 2 - 2225 - 3500  
FAX : 82 - 2 - 475 - 4668  
<http://www.cas.co.kr>

Specifications are subject to change for improvement without prior notice.