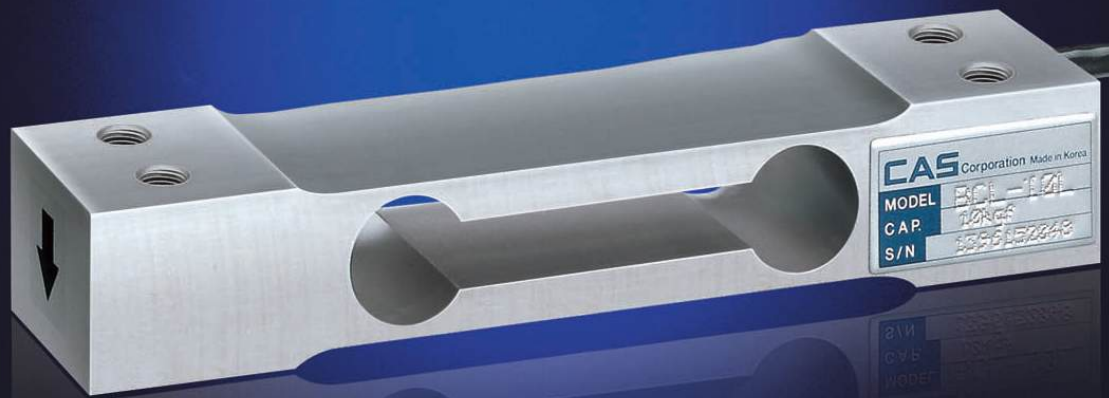


# BCL

## Single Point Low Profile

- Available in 1 kgf up to 30 kgf capacity
- Low profile type
- Aluminum alloy construction
- Compatible with other sources



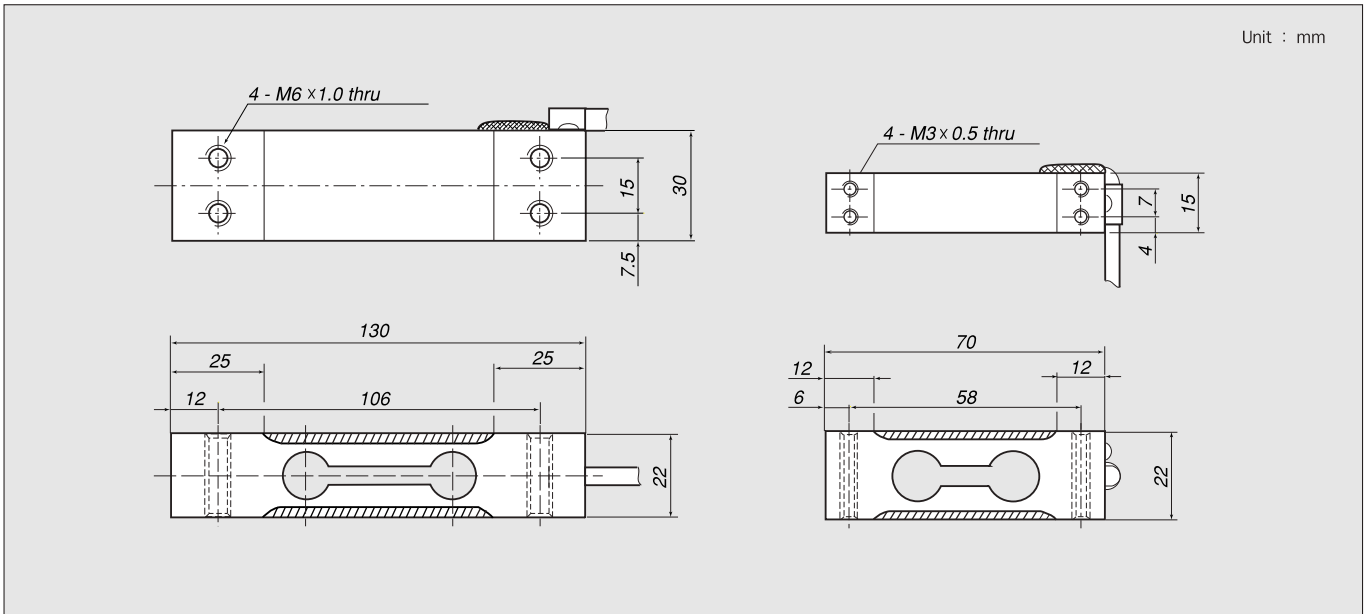
### APPLICATION

- Bench scales
- Counting scales
- Check weighing system

**CAS**

# BCL Single Point Low Profile

## DIMENSIONS



## SPECIFICATIONS

Rated Load (R.L.)	1 kgf, 2 kgf, 3 kgf	6 kgf, 10 kgf, 15 kgf, 20 kgf, 30 kgf
Rated Output (R.O.)	1 mV/V $\pm$ 10%	2 mV/V $\pm$ 10%
Combined Error	< 0.03% R.O.	
Repeatability	< 0.01% R.O.	
Creep (for 30 min) / - 10°C to +40°C	< 0.03% R.O.	
Temperature Effect on Zero Value / 10°C	< 0.03% R.O.	
Temperature Effect on Output Value / 10°C	< 0.014% R.O.	
Recommended Excitation	DC 10 V	
Maximum Excitation	DC 15 V	
Zero Balance	$\pm$ 5% R.O.	
Input Resistance	400 $\pm$ 20 $\Omega$	
Output Resistance	350 $\pm$ 3.5 $\Omega$	
Insulation Resistance	> 2000 M $\Omega$	
Cable	40 cm, 4 conductor with shield	
Compensated Temperature Range	- 10°C to +40°C	
Operating Temperature Range	- 20°C to +70°C	
Safe Overload	150% Rated Load	
Protection Class	IP 63	

## ORDERING INFORMATION

CAPACITY	MODEL NO.
1 kgf	BCL - 1 L
2 kgf	BCL - 2 L
3 kgf	BCL - 3 L
6 kgf	BCL - 6 L
10 kgf	BCL - 10 L
15 kgf	BCL - 15 L
20 kgf	BCL - 20 L
30 kgf	BCL - 30 L

## CABLE COLOR CODE

Red	+ Excitation
White	- Excitation
Green	+ Signal
Blue	- Signal
Black	Shield

# CAS

CAS BLDG., # 440-1, SUNGNAE-DONG,  
GANGDONG-GU, SEOUL, KOREA  
TEL : 82 - 2 - 2225 - 3500  
FAX : 82 - 2 - 475 - 4668  
<http://www.cas.co.kr>

Specifications are subject to change for improvement without prior notice.