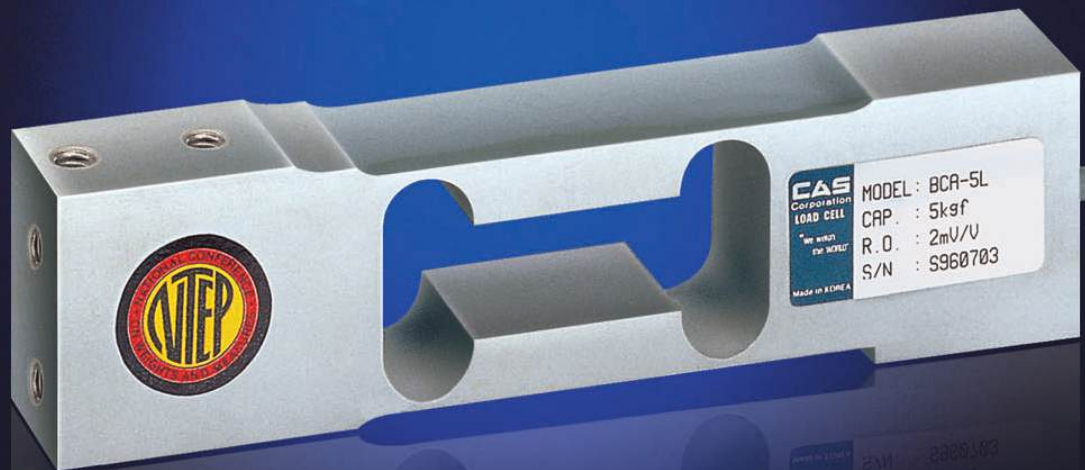


# BCA



## Single Point Load Cell

- Available in 5 kg up to 100 kg capacity
- Aluminum alloy construction
- Compatible with other sources.
- NTEP / OIML approved



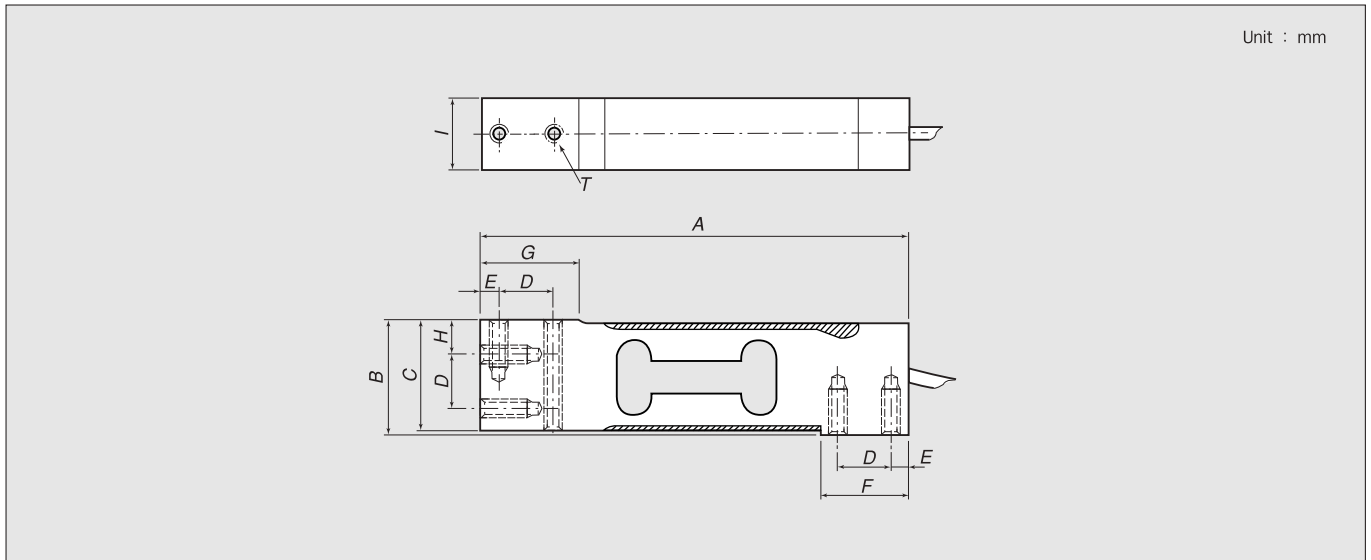
### APPLICATION

- Bench scales
- Counting scales
- Check weighing systems

**CAS**

# BCA Single Point Load Cell

## DIMENSIONS



Unit : mm

CAPACITY	A	B	C	D	E	F	G	H	I	T
5 kgf - 100 kgf	150	40	38.5	19	6	31	34	12	25	M6 × 1.0 DP16

## SPECIFICATIONS

Rated Load (R.L.)	5 kgf, 10 kgf, 15 kgf, 20 kgf, 30 kgf, 50 kgf, 75 kgf, 100 kgf	
Rated Output (R.O.)	2mV/V ± 10%	
Accuracy Class	D 3	C 3, A 5
Combined Error	< 0.03% R.O.	< 0.02% R.O.
Repeatability	< 0.01% R.O.	< 0.01% R.O.
Creep (for 30 min) / -10°C to +40°C	< 0.03% R.O.	< 0.017% R.O.
Temperature Effect on Zero Value / 10 °C	< 0.028% R.O.	< 0.014% R.O.
Temperature Effect on Output Value / 10 °C	< 0.014% R.O.	< 0.011% R.O.
Recommended Excitation	DC 10V	
Maximum Excitation	DC 15V	
Zero Balance	± 5% R.O.	
Input Resistance	400 ± 20Ω	
Output Resistance	350 ± 3.5Ω	
Insulation Resistance	> 2000 MΩ	
Cable	3.3ft / 1m, 4 or 6 conductor with shield	
Compensated Temperature Range	- 10°C to +40°C	
Operating Temperature Range	- 20°C to +70°C	
Safe Overload	150% Rated Load	
Protection Class	IP 65	

## ORDERING INFORMATION

CAPACITY	MODEL NO.
5 kgf	BCA - 5L
10 kgf	BCA - 10L
15 kgf	BCA - 15L
20 kgf	BCA - 20L
30 kgf	BCA - 30L
50 kgf	BCA - 50L
75 kgf	BCA - 75L
100 kgf	BCA - 100L

## CABLE COLOR CODE

Red	+ Excitation
White	- Excitation
Green	+ Signal
Blue	- Signal
Clear	Shield
Black	+ Remote sense
Brown	- Remote sense

# CAS

CAS BLDG., # 440-1, SUNGNAE-DONG,  
GANGDONG-GU, SEOUL, KOREA  
TEL : 82 - 2 - 2225 - 3500  
FAX : 82 - 2 - 475 - 4668  
<http://www.cas.co.kr>

Specifications are subject to change for improvement without prior notice.