

APEXA® G

CAS proudly presents our newest product innovation APEXA® G. The APEXA® G features modern and contemporary styling, powerful performance, superior touch display, multiple I/O interfaces and flexible installation. Simply built for today's retail and hospitality businesses.



Powerful Performer

Superior Touch Display

Add Peripherals to Engage Customers

Style and Look. Evolved

Powerful Performer



Superior Touch Display



Add Peripherals to Engage Customers



CAS
www.globalcas.com

APEXA® G



Feature



Powerful Performer

Powered by low-power high-performance solution, Intel® Celeron® J1900 quad-core processor, the APEXA® G delivers powerful performance and reliable operation while reducing power consumption. Designed with fanless cooling for heat dissipation and protection against dust in mind, it offers less maintenance issues and longer life cycle. Serve customers faster with increased speed at lower total cost of ownership.



Superior Touch Display

The touch display is designed for enhanced performance, durability and usability. Industrial-grade LED panel offers bright and crisp images, extended product life and energy efficiency. PCAP and 10-point multi-touch technology delivers intuitive and familiar experiences similar to smartphones or tablets. And speedy operation is assured with the touch display activated with both fingers and gloves.



Add Peripherals to Engage Customers

Our 2x20 VFD and 2nd displays give customers information on order, advertisement or promotional event at the point of purchase. Provide them with impressive checkout experiences and create more sales opportunities.



Style and Look. Evolved

The new APEXA®G represents the latest evolution of our POS terminal design. Its modern and contemporary styling, outstanding among other POS solutions, blends seamlessly into today's store environment, while enhancing store decor and brand image. The sleek and compact body with small footprint offers more space at the checkout area for customer engagement and promotions.

Connect It to All

Multiple I/O interfaces are offered on the APEXA®G including 6 USB, 5 serial and more. Optional expansion is available. Connect it to all the peripheral devices that meet your business needs.

Install It Anywhere

Industry-standard VESA enables flexible mounting options. Place it on a counter or hang it on the wall. Optional VESA-compatible wall mount kit is available. (Additional mounting option is available upon request.)

Save Time and Cost

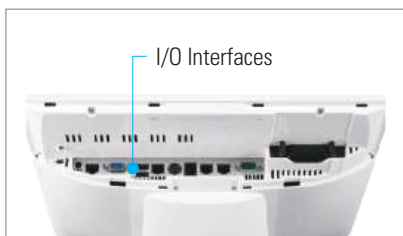
The APEXA®G is designed to provide the quick access to I/O interfaces and storage. Installation, service and upgrade get much. Faster and easier.

APEXA® G



- Low-Power High-Performance Intel® Celeron® J1900 Quad-Core Processor
- Sleek and Compact Body with Small Footprint
- Bezel-Free True-Flat PCAP Touch
- 15" Display with LED Backlight Delivering Bright and Crisp Images
- Multiple I/O Interfaces for Peripherals
- Flexible Installation on a Counter or a Wall
- Faster Installation and Service ability
- Modern and Contemporary Styling for Interior Décor
- Engineered and Optimized for Hospitality and Retail Businesses

Option



I/O Expansion

- 1 x COM5 (RJ-45 8pins)
- 1 x Cash Drawer Port (RJ-11 6pins)



Customer Display

- VFD 20 Columns x 2 Lines



2nd Display

- 9.7", 12.1", 15" LCD
- 1024 x 768 Resolution



Multi-Reader

- MSR (ISO 7811, Support 1 & 2 & 3 Track)
- SCR (EMV Level 1,2)



Storage

- 2.5 inch SSD 128GB, HDD 500GB, HDD 1TB



Wall Mount Kit

- VESA-Compatible
- 75 x 75mm , 100 x 100mm

APEXA® G

Specification

General Specifications	
System	
CPU	Intel® Celeron® J1900 (2.0 GHz) Quad-Core Processor / Fanless
Chipset	ITE IT8786E-I
Storage	SATA 2 (3Gb/s) 2.5 inch SSD 64GB, Support AHCI
Memory	4GB Standard
	Type : DDR3L 1333 MT/s / Socket 1 x SODIMM
Graphics Controller	Integrated Intel HD Graphics
Audio	Realtek ALC662-VD 5.1 CH Audio
LCD Display	
Size / Type	15" TFT LED Backlight
Resolution	1024 x 768
Luminance	300 cd/m ² (typ.)
Touch Screen	
Type	Projective Capacitive Touch
Controller Interface	USB Interface
I/O Interface	
Display Port	1 x VGA (With 12V power output)
USB Port	6 (Rear 2, Back 4 / USB 2.0 x 6 Ports), USB A type
	1 (Rear 1, Reserved for MSR/SCR/I-Button), RJ-45
Serial Port	(COM 1 with 5V/12V power output on 9pins)
	(COM2~3 RJ-45 , Full Signal)
	(COM4 RJ-11, Only TX/RX, 12V power output, Reserved for CDP)
	(COM6 RJ-45, Only TX/RX, 5V power output, Reserved for MSR)
Ethernet Port	RJ-45
Audio	Line-out
Power DC-IN	1 (4pins connector)
Power Requirement	
Adapter Input	Adaptor 12V, 5A
OS Support	
OS	Windows 7, Windows 8.1, POS Ready 7, Windows 10
Mechanical & Environmental	
Operating Temperature	0°C ~ 60°C at 10% ~ 90% humidity
Storage Temperature	-20°C ~ 80°C at 10% ~ 90% humidity
Color	Dark Grey, White
Dimensions	364 x 333 x 210 (mm) (W x H x D)
Net Weight	5,300g
Packing Dimension	500 x 470 x 300 (mm) (W x H x D)
Packing Weight	8,000g
Certification	CE, FCC, KC, CB, CCC

Optional Configuration

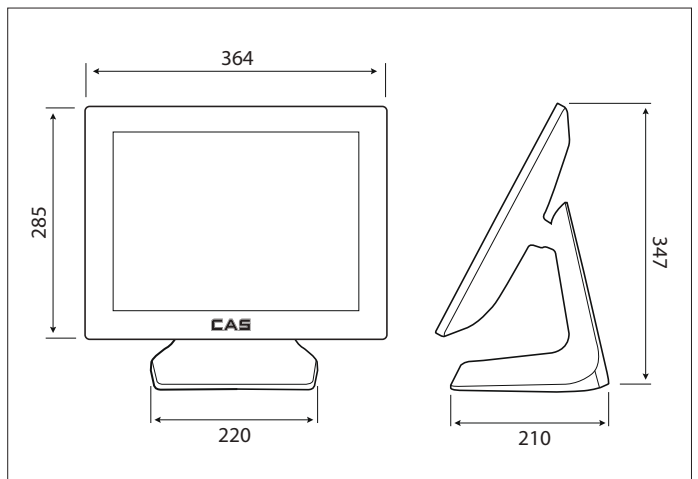
Storage	2.5 inch SSD 128GB
	2.5 inch HDD 500GB
	2.5 inch HDD 1TB
I/O Expansion	1 x COM5 (RJ-45 8pins) (Factory Option)
	1 x Cash Drawer Port (RJ-11 6pins) (Factory Option)
Customer Display (CDP)	VFD (20 columns x 2 lines)
2nd Display	9.7" 2nd LCD (1024 x 768 resolution)
	12.1" 2nd LCD (1024 x 768 Resolution)
	15" 2nd LCD (1024 x 768 Resolution)
Magnetic Stripe Reader	MSR : Comply with ISO 7811, Support 1 & 2 & 3 track
Smart Card Reader	SCR : EMV level 1, 2
Dallas	Dallas I-button Reader
Camera	5M USB Interface (Internal) (Factory Option)
Wall Mount Kit	VESA-Compatible (75 x 75mm , 100 x 100mm)
Serial Conversion Cable	RJ-45 to D-sub 9

Environment



- Restaurant cashier / Mart

Dimension



CAS BLDG., 1315, YANGJAE-DAERO,
GANGDONG-GU, SEOUL, KOREA
TEL_ 82 2 2225 3500
FAX_ 82 2 475 4668

Specifications are subject to change without notice improvement

<http://www.globalcas.com>

