

TOTAL WEIGHING SOLUTION™

WBKL TL-1K

Compression Load Cell

WBK-TL-1K(SUS) is a column, stainless steel compression Load Cell designed for hopper, tank and truck scales. A large range of capacities is available. Hermetic sealing and built-in surge protection ensure that this product can be used in harsh environment.



Stainless steel construction

Hermetically sealed



Truck Scales



Hopper Scales



Stainless steel construction

Scan with your smartphone
to find more products



WBKL TL-1K

Compression Load Cell



FEATURES

- Stainless steel construction
- Hermetically sealed

OPTIONS

- Accessory set

APPLICATION

- Hopper and Silo, Tank scales
- Truck scales



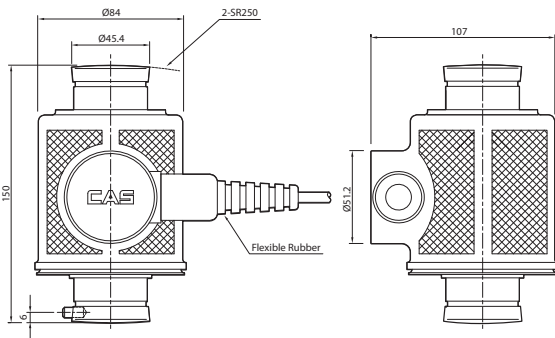
SPECIFICATION

Capacity(R.L.)	tf	10, 20, 25, 30, 50, 100		
Rated output(R.O.)	mV / V	2.0 ± 0.005		
Zero balance	mV / V	0.0 ± 0.020		
Accuracy Class	-	A	B	
Non-linearity	% R.O.	≤ 0.02	≤ 0.03	
Hysteresis	% R.O.	≤ 0.02	≤ 0.03	
Combined Error	% R.O.	≤ 0.02	≤ 0.03	
Repeatability	% R.O.	≤ 0.01	≤ 0.02	
Creep for 30min	% R.O.	≤ 0.17	≤ 0.03	
Return for 30min	% R.O.	≤ 0.17	≤ 0.03	
Resolution	-	≤ 1/5000	≤ 1/3000	
Division	mV / V	0.0004	0.00067	
Temperature effect on	- Zero Value - Output value	%/10°C %/10°C	≤ 0.014 ≤ 0.03	≤ 0.03 ≤ 0.03
Excitation	- Recommended - Maximum	V V	10 15	
Resistance	- Input - Output - Insulation	Ω Ω MΩ	1000 ± 10 1000 ± 10 > 2000	
Comensated Temperature Range	°C	-10 to +40		
Operating Temperature Range	°C	-40 to +80		
Material & Plate	-	Stainless steel / Buffing		
Cable specification	-	Ø8 x 4P x 10M & Ø8 x 4P x 25M (PVC)		
Platform size	-	Ø8 x 6P x 12M (Urethane)		
Safety overload	% R.L.	150		

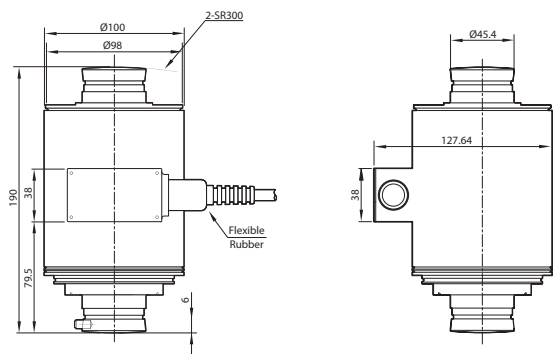
DIMENSION

WBKL

▶ 10tf-30tf

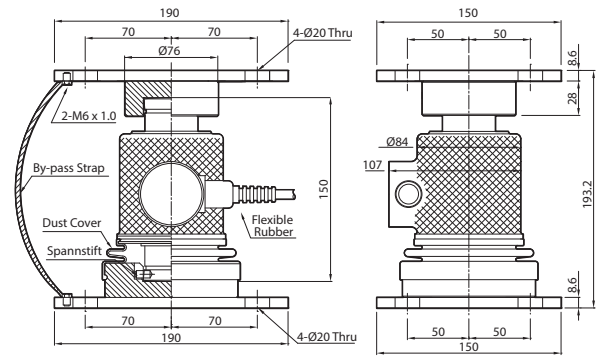


▶ 50tf-100tf

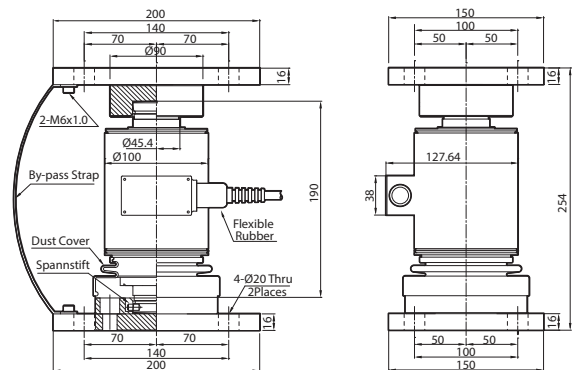


ACCESSORY ASSEMBLY

▶ 10tf-30tf



▶ 50tf-100tf



Unit:mm