

# WBK

## Stainless Steel Load Cell

- Available in 10 tf up to 50 tf versions
- Stainless steel construction
- Built in lightning protection device
- Hermetically sealed ( > IP67)



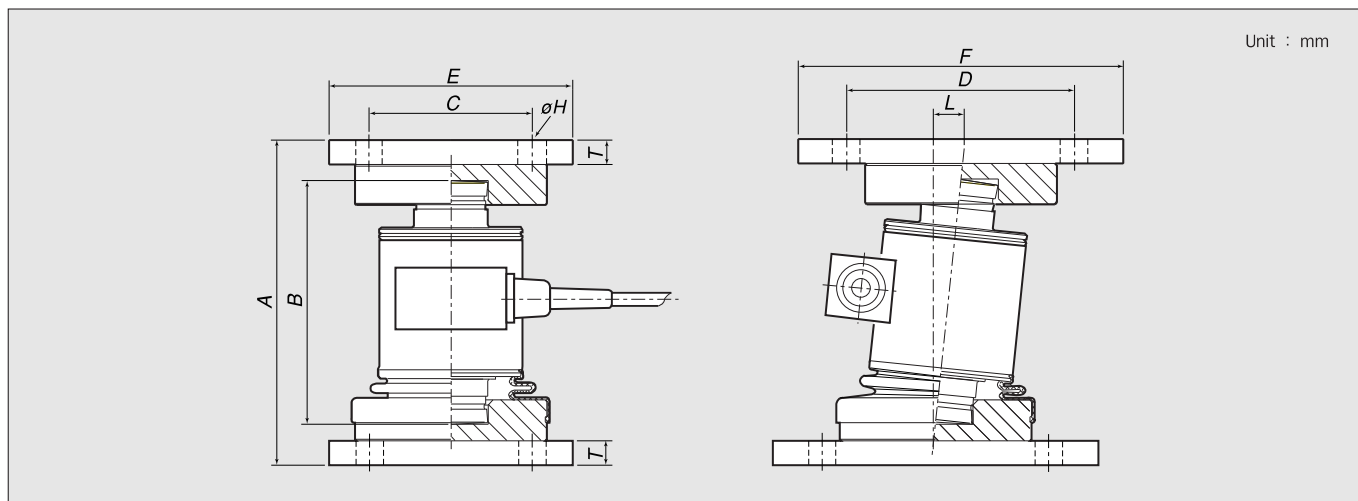
### APPLICATION

- Truck scales
- High capacity accurate weighing system
- Harsh environmental industrial application

CAS

# WBK Stainless Steel Load Cell

## DIMENSIONS



CAPACITY	A	B	C	D	E	F	∅ H	L	T
10 tf	194	150	100	140	150	200	20 8Place	15	12
25 tf	194	150	100	140	150	200	20 8Place	15	12
50 tf	254	190	100	140	150	200	20 8Place	15	22

## SPECIFICATIONS

Rated Load (R.L.)	10 tf, 25 tf, 50 tf
Rated Output (R.O.)	2 mV/V ± 0.25%
Combined Error	< 0.02% R.O.
Repeatability	< 0.02% R.O.
Creep (for 30 min) / -10°C to +40°C	< 0.03% R.O.
Temperature Effect on Zero Value / 10°C	< 0.03% R.O.
Temperature Effect on Output Value / 10°C	< 0.03% R.O.
Recommended Excitation	10V
Maximum Excitation	15V
Zero Balance	± 1% R.O.
Input Resistance	350 ± 3.5Ω
Output Resistance	350 ± 3.5Ω
Insulation Resistance	> 2000 MΩ
Cable	10 m, 4 conductor with shield
Compensated Temperature Range	- 10°C to +40°C
Operating Temperature Range	- 40°C to +70°C
Safe Overload	150% Rated Load
Protection Class	IP 68

## ORDERING INFORMATION

CAPACITY	MODEL NO.
10 tf	WBK - 10
25 tf	WBK - 25
50 tf	WBK - 50

## CABLE COLOR CODE

Red	+ Excitation
White	- Excitation
Green	+ Signal
Blue	- Signal
Black	Shield

# CAS

CAS BLDG., # 440-1, SUNGNAE-DONG,  
GANGDONG-GU, SEOUL, KOREA

TEL : 82 - 2 - 2225 - 3500

FAX : 82 - 2 - 475 - 4668

<http://www.cas.co.kr>

Specifications are subject to change for improvement without prior notice.