

Bar Scale

UFS/BFS



UFS

BFS



CAS BAR SCALE

CAS Bar Scale can measure up to 4000kg (UFS:4000kg, BFS:2000kg) and available a more accurate weighing solution with high-precision load cell with International Certification. The Load Bar designed to be protected against strong impacts with excellent durability, and it can be moved easily and conveniently by attaching a roller at the bottom.



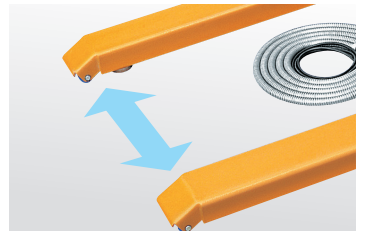
Rollers applied for easy portability



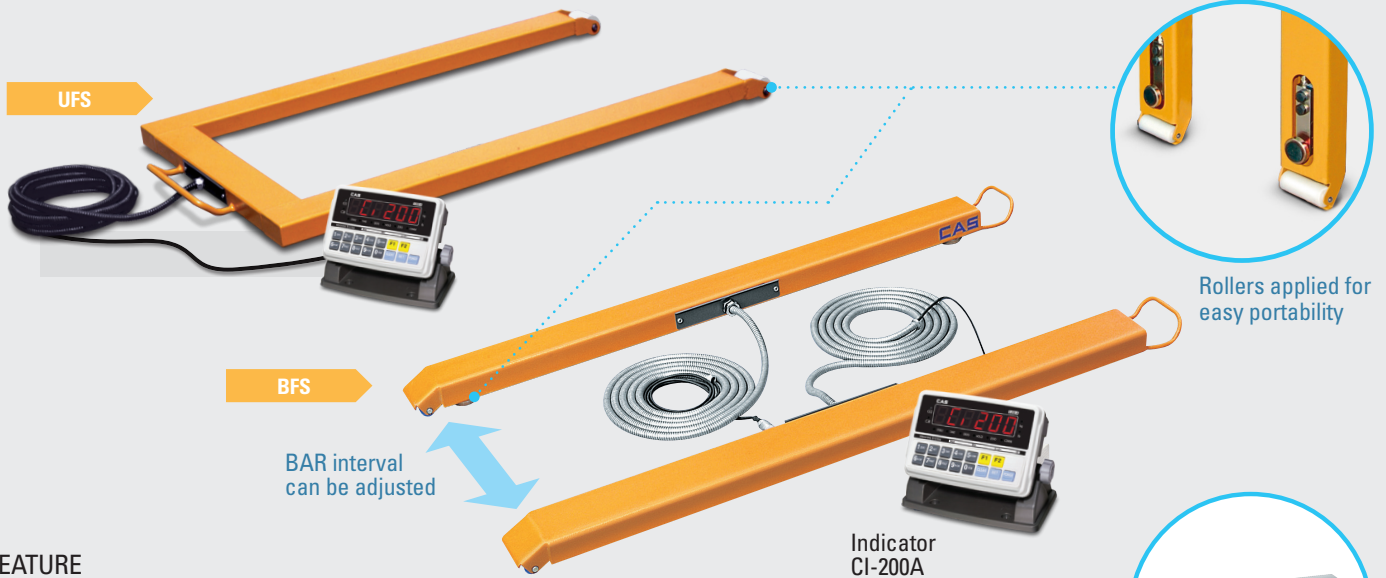
High precision load cell



High quality powder coating finish



Adjustable Bar Spacing (BFS)



FEATURE

- Rollers applied for easy portability
- Use high precision load cell (International certification such as OIML, NTEP)
- High quality powder coating finish
- Load cell and Cable are designed for protection against external impacts
- Solid body and Strong durability
- BAR interval can be adjusted according to usage

Indicator
CI-200A



Load cell
BSA



International certification such as OIML, NTEP

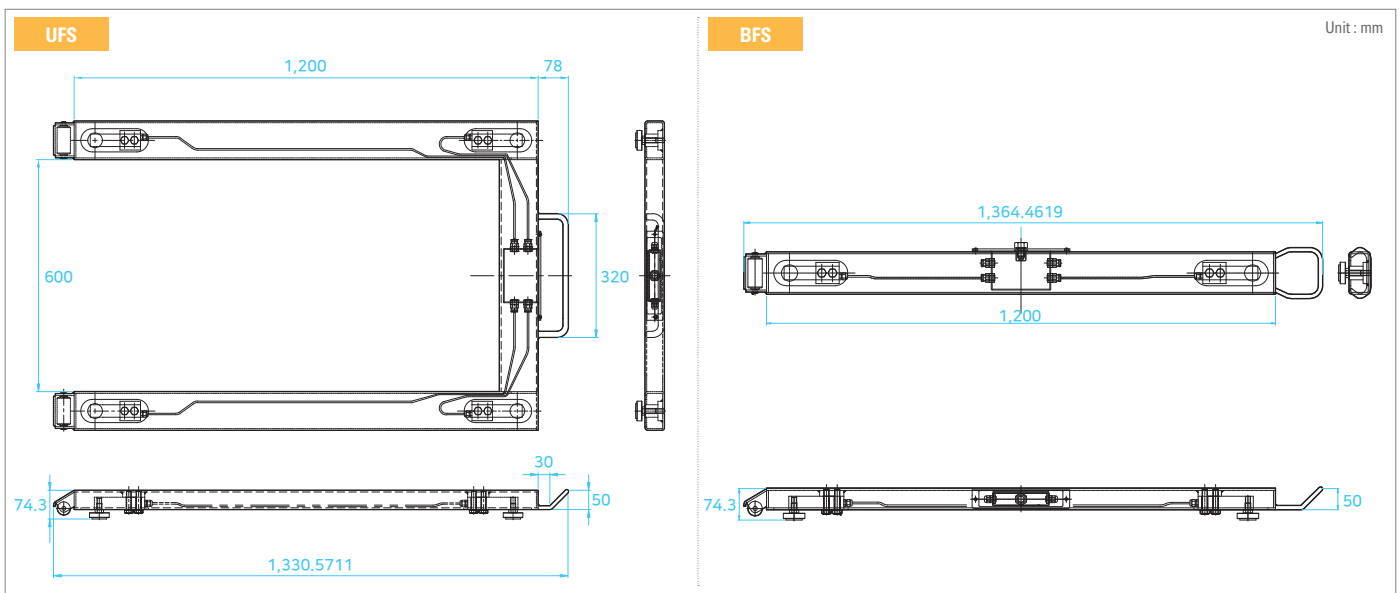
SPECIFICATION

Model	UFS					BFS		
	500UFS	1000UFS	2000UFS	3000UFS	4000UFS	500BFS	1000BFS	2000BFS
Max Capacity (kg)	500	1,000	2,000	3,000	4,000	500	1,000	2,000
Division (kg)	0.2	0.5	1.0	1.0	2	0.2	0.5	1.0
Product Size (mm)	800(W) x 1,200(D) x 70(H)					120(W) x 1,200(D) x 70(H)		

OPTION

- Indicator
- Stand

DIMENSION



Ver 1.0_61112202



CAS Global Homepage

CAS CORPORATION
CAS BLDG., 1315, YANGJAE-DAERO
GANGDONG-GU, SEOUL, KOREA
TEL_82 2 2225 3500 / FAX_82 2 475 4668
www.globalcas.com



* Specifications are subject to change without notice improvement.

