

# SC series

## Precision Counting Scales

- 5 × 0.001 kg, 10 × 0.002 kg, and 25 × 0.005 kg Versions Available
- 500 Item Unit Weight Memory
- Easy-to-Read VFD Displays
- kg / lb Convertible



# CAS



# SC series Precision Counting Scales

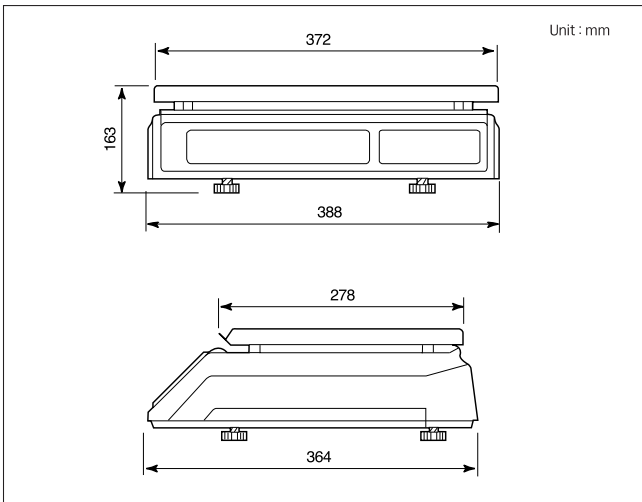
## FEATURES

- 6 Digit Unit Weight for Precision Counting
- 500 Item Memory with Tare Accumulation Feature
- High Internal Resolution(1/100,000)
- Easy-to-Read VFD Displays
- Stainless Steel Platter
- Auto Span Adjustment
- Auto Zero Tracking
- RS-232C Interface

## SPECIFICATIONS

Model	SC-05P	SC-10P	SC-25P
Weighing Capacity	5 × 0.001 kg	10 × 0.002 kg	25 × 0.005 kg
Internal Resolution	1 / 100,000		
Display Digit	Weight / Count / Unit weight (5 / 5 / 5)		
Display Designators	Zero, Tare, g, lb, Lacked Sample Lacked Unit Weight		
Power Source	AC 110/120/220/240 V, 50/60Hz		
Power Consumption	Approx. 7W		
Operating Temperature	- 10°C ~ +40°C		
Platter Size (mm)	372 (W) × 278 (D)		
Dimensions (mm)	388 (W) × 364 (D) × 163 (H)		
Product Weight	7.2kg		

## DIMENSIONS



## DISPLAY & KEY BOARD



## OPTIONS

- Wet Cover
- RS 232C Cable

# CAS

CAS BLDG., # 440-1, SUNGNAE-DONG,  
GANGDONG-GU, SEOUL, KOREA  
TEL : 82 - 2 - 2225 - 3500  
FAX : 82 - 2 - 475 - 4668  
<http://www.cas.co.kr>

Specifications are subject to change for improvement without prior notice.