



Basic Scale

PR-IID/DU



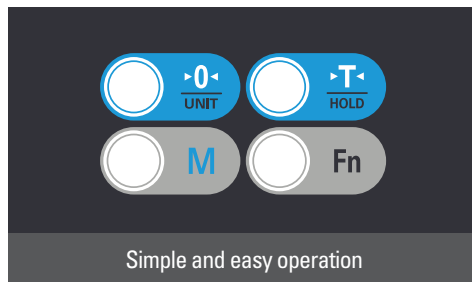
► PR-IID(LED)

Basic Scale

As a simple weighing scale with max. 1/30,000 resolution, PR-IID/DU is suitable for various industrial environment, including market & shop with a low-profile design.



Low Profile Design



Simple and easy operation



High-visibility display



FEATURES

High Resolution for Weighing (Dual 1/3,000~Single 1/30,000)

Simple & Easy operation

- Key: 4ea
- Various Weighing Mode:
General Weighing, Weight Comparison Mode, Counting Mode



Low Profile Design

Excellent applicability in open market with a low body

Easy to Install

- 9-pin RS-232C and USB Type B communication(Optional)
- Powered by various sources
 - Rechargeable battery or AC adapter
 - Optional: 1.5V D size Dry battery x 3ea, USB Type B(5V) (not for charging)



High-visibility display

LED/LCD display offers high visibility in any lightening condition.

OPTIONS

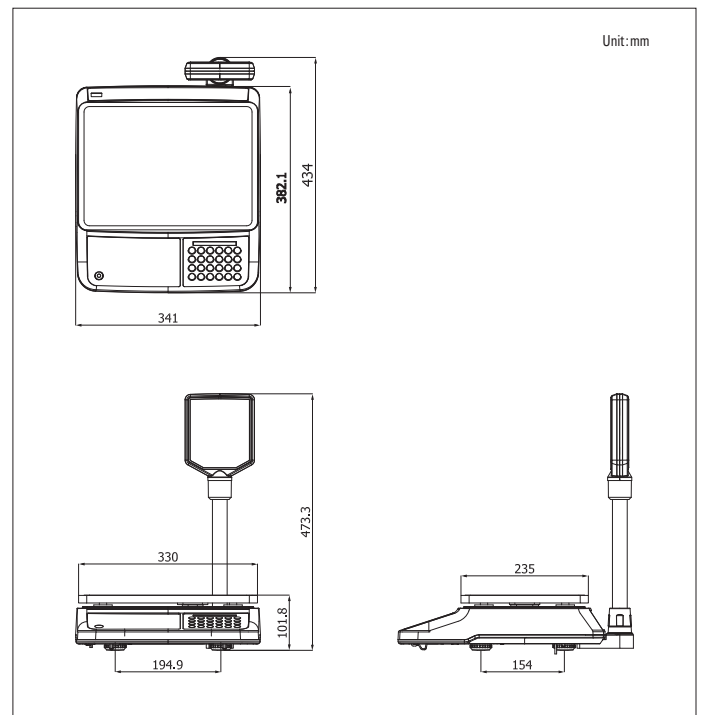
- Dry battery
- RS-232C
- USB Type B (for communication and Power, not for battery charging)
- * Selectable between RS-232C or USB port



SPECIFICATIONS

Model	PR-IID/DU					
Capacity	Dual Interval	Single (non-approval)	Dual Interval	Single (non-approval)	Dual Interval	Single (non-approval)
Readability(e)	Max 3/6 kg	Max 6 kg	Max 6/15 kg	Max 15 kg	Max 15/30 kg	Max 30 kg
External	e=1/2g	e=1g	e=2/5g	e=2g	e=5/10g	e=5g
Resolution	1/3000	1/6000	1/3000	1/7500	1/3000	1/6000
Display	D type(LED): 7 Segment LED (6 Digit) x 1ea D type(LCD): 45° x 15.5° LCD (6 Digit) x 1ea DU type(LED): 7 Segment LED (6 Digit) x 2ea					
Symbols	Stable, Zero, Tare, g, kg, Low Battery, HI / OK / LO & PCS, LK, Power					
Keys	ZERO/ UNIT, TARE/ HOLD, MODE, FUNCTION					
Functions	General Weighing, Counting Function: Counting Sample Range 10, 20, 50, 100, 200, 500 / Weight Comparison Function: hi, ok, low, Backlight ON/OFF Control Function, Hold, Unit Conversion					
Product Size (W)x(D)x(H)	D TYPE: 341x 382 x 102 mm / DU TYPE: 341x 434x 473 mm					
Platter Size	330 (W) x 235 (D)[mm]					
Product Weight	D type: 3.3 kg / DU type: 3.6kg					
Power	Pb 4 V/4 A Rechargeable battery, 6 VDC Adaptor, USB Type B(Optional, not for battery charging), 1.5V D size dry battery x 3ea(Optional)					
Battery Life	LED: Approx. 170 hours (Manganese Battery) / 340 hours (Alkaline) / 80 hours (Pb Battery) LCD: Approx. 300 hours (Manganese Battery) / 600 hours (Alkaline) / 200 hours (Pb Battery)					
Operating Temperature	-10°C ~ +40°C					
Options	1.5V D size dry battery x 3ea, RS-232C, USB Type B					

DIMENSION



CAS Global homepage

CAS BLDG., 1315, YANGJAE-DAERO
GANGDONG-GU, SEOUL, KOREA
TEL. 82 2 2225 3500 / FAX. 82 2 475 468

www.globalcas.com



Specifications are subject to change without notice improvement.

