

Scanner Scale

PDS series



PDS-P ▶

PDI ▶

Scanner Scale

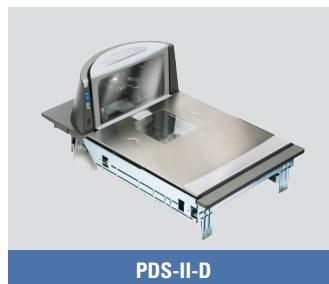
The PDS series is a scale product specialized for flatbed scanners. Streamline the sales flow. Increases space efficiency.



SPS3326



PDS-II-M



PDS-II-D



PDS-II-DC

PDS series

PDS / SPS3326 & NT-200 / PDI / PDI-S

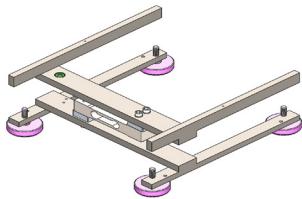


<PDS>

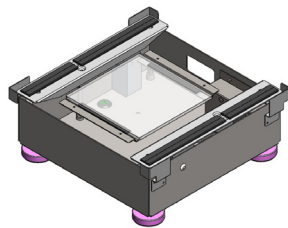
- PDS-E (One-load cell type)
- PD -S (Two-load cell type)



<SPS3326>



<One-load cell type>



<Two-load cell type>



< NT-200 >



< PDI >



< PDI-S >

FEATURES

- Two major components : Scale / NT-200, PDI Display
- Semi-permanent structure
- Easy to read display(25mm Large display)
- High accuracy loadcells
- RS-232C interface
- USB Interface option(PDS-P)

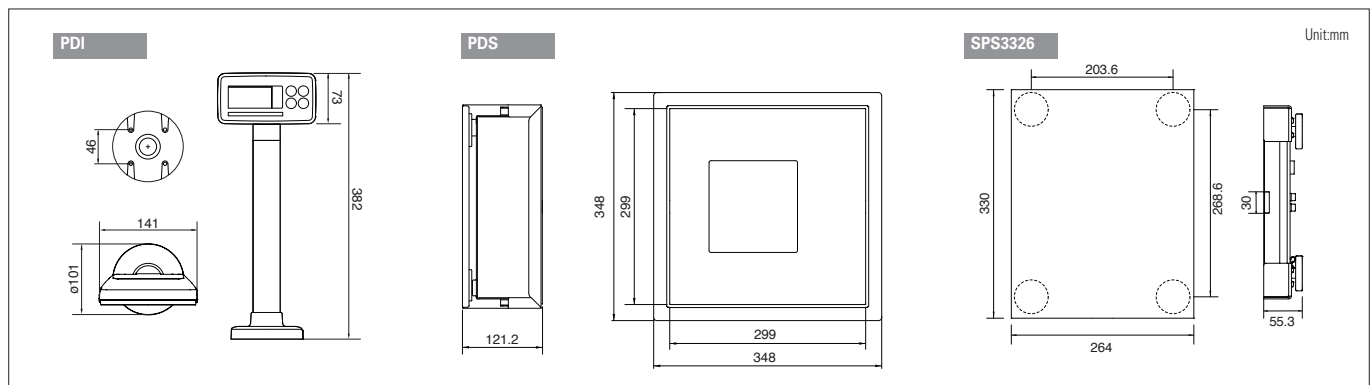
Various scanners to be built in the scale

- Metrologic, Honeywell(MS 7620 Horizon, MS860)
- Datalogic(Magellan 2300 HS)
- Motorola(Symbol LS7808)

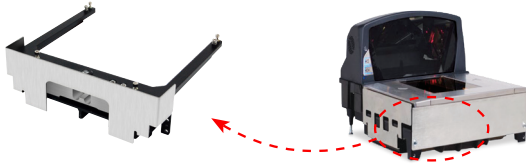
SPECIFICATIONS

MODEL	PDS / PDS-P		PDI/SPS3326
Max. Capacity (kg)	15	30	15
Readability (g)	5		
Operating Temperature (°C)	-10 ~ 40		
Power	AC Adapter (220V)	AC Adapter (100~240V)	
Platter Size (mm)	299 (W) x 299 (D)		330 (W) x 264 (D)
Dimensions (mm)	348 (W) x 348 (D) x 121.2 (H)		330 (W) x 264 (D) x 55.3 (H) (340 x 277 x 55.3)
Product weight (kg)	10		5.87
Available Scanner	Metrologic (Honeywell) - MS7620 Horizon, MS860 Datalogic - Magellan 2300 HS Motorola - symbol LS7808		-

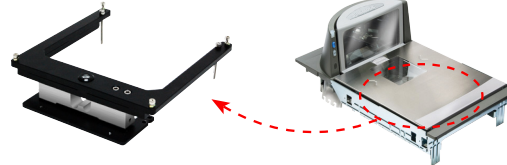
DIMENSIONS



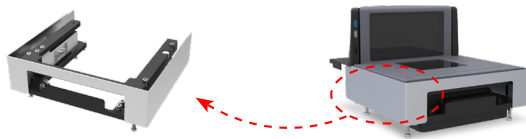
PDS-II



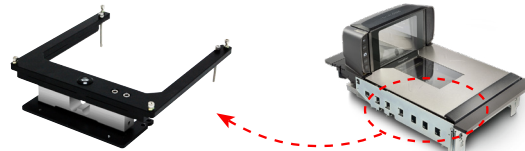
PDS-II-15M < Scale kit for MS2400 Stratos >



PDS-II-15D < Scale kit for Magellan8400 >



PDS-II-15DS < Scale kit for Magellan8400s >



PDS-II-15DC < Scale kit for Magellan9300/9400i >



Various scanners to be built in the scale

- Metrologic : MS2400 Stratos
- Datalogic : Magellan8400, Magellan8400s
Magellan9300i, Magellan9400i

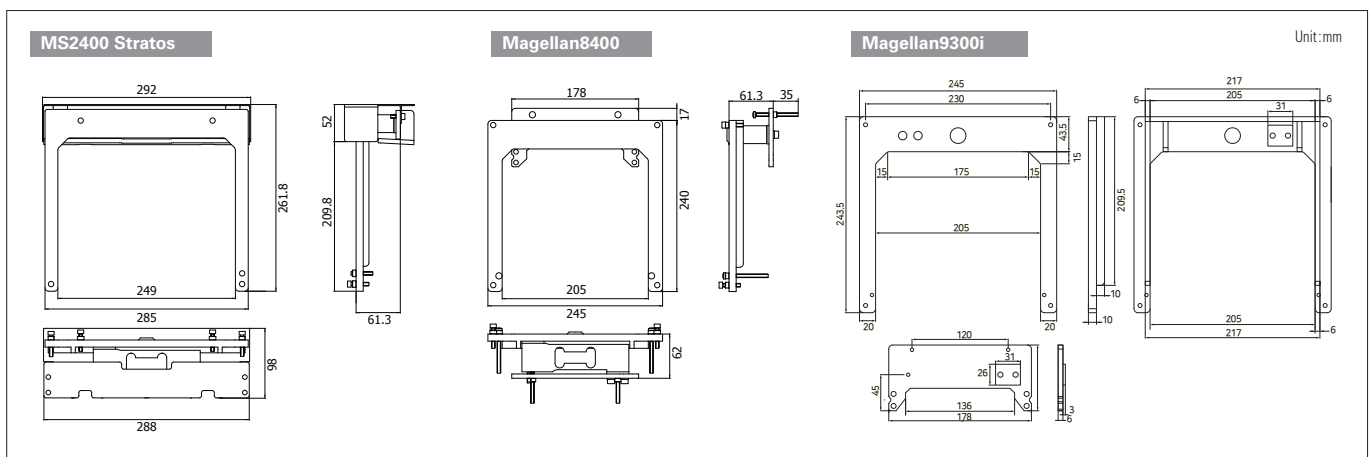
FEATURES

- Two major components:
PDI display, scale kit for bioptic type scanner
- Rapid checkout operation at POS environment
- Compact, Adaptation, Convenient, Customer Friendly
- Flexible installation
- Various angle indicator

SPECIFICATIONS

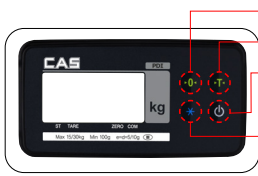
MODEL	PDS-II			
	-15M	-15D	-15DS	-15DC
Max. Capacity (kg)	15			
Readability (g)	5			
Operating Temperature(°C)	-10~ 40			
Power	AC Adapter(100~240V)			
Platter Size(mm)	285(W) x 262(D)	254(W) x 240(D)	273(W) x 230(D)	292(W) x 278(D)
Dimensions(mm)	285(W) x 261.8(D) x 98(H)	245(W) x 257(D) x 61.3(H)	292(W) x 351(D) x 228.3(H)	292(W) x 400(D) x 218(H)
Product Weight (kg)	3.6	2.6	2.3	2.6
Available Scanner	MS2400Stratos	Magellan8400	Magellan8400s	Magellan9300i/9400i

DIMENSIONS



INDICATOR : PDI

Easy operations



- Zero Key
- Tare Key
- Power on/off Key
- Function Key
 - CAL MODE
 - SET MODE
 - TEST MODE



Connectable with various platform

Connectable with various ECR system, POS system and check out scale.



PDS-P



SPS3326



PDS-II-M



PDS-II-DC

Adjustable view angle of indicator



The user can view weight in various angles with adjustment of view angle of indicator.

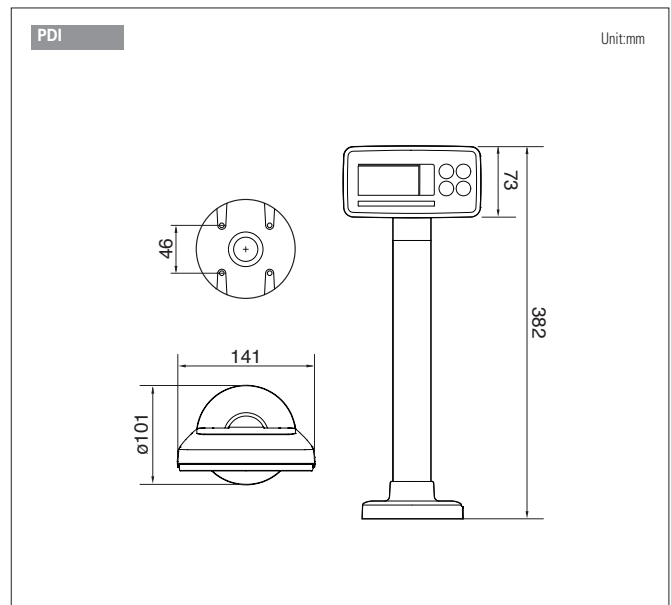
FEATURES

- Suitable for the checkout scale and weighing system
- Adjustable view angle of indicator
- Independent zeroing functions
- Connectable with various platform

SPECIFICATIONS

Model	PDI	
Applied Voltage for load cell	DC 5V (350Ω maximum 8 possible connections)	
Zeroing Range	0~2 mV/V	
Input Sensitivity	0.5 uV/D (OIML)	
	0.2 uV/D (Non OIML)	
A/D Internal Resolution	1/520,000	
A/D External Resolution	1/10,000 (OIML)	
	1/20,000 (Non OIML)	
A/D Conversion Speed	80 Rounds / Second	
Sign for status	STABLE, NET, ZERO, COM	
Weight Display	LCD (6digit)	
Power	AC Adapter (100~240 V)	
Operating Temperature(°C)	-10 ~ 40	
Product Size(mm)	141(W) X 101(D) X 382(H)	
Product Weight	500g	
Interface	Standard	COM1 (RS-232 Printer & PC Interface)
	Option	USB

DIMENSIONS



Ver. 2.0_42110202



CAS Global Homepage

CAS CORPORATION
 CAS BLDG., 1315, YANGJAE-DAERO
 GANGDONG-GU, SEOUL, KOREA
 TEL_82 2 2225 3500 / FAX_82 2 475 4668
www.globalcas.com



* Specifications are subject to change without notice improvement.

