

ECR Interface Scale

# PDN series



## Optimized Platform Scales for POS/ECR System

Low profile and space-efficient product design. High brightness LED display with good visibility.



Connected to POS/ECR system



Tilt Display, Low profile



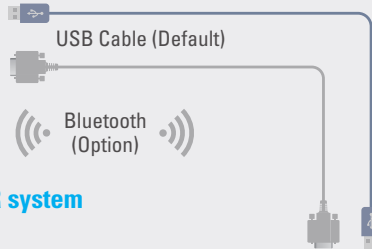
Easy to Read High brightness LED

## FEATURE



### > Interface & Power Source

USB for Power Source and Communication



### > Connected to POS/ECR system

### > Remote Display



Up to 2 m

### > Edge Tray(Optional)



### > Display

Tilt Display,  
High brightness LED Display

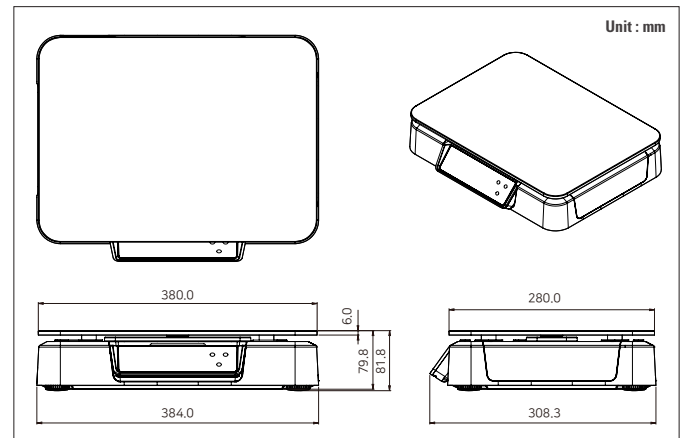


Side/Rear Display(Optional)

## SPECIFICATION

Model	PDN						
	Single Interval			Dual Interval			
Capacity (kg)	Max. 6	Max. 12	Max. 30	Max. 3/6	Max. 6/15	Max. 15/30	Max. 15/32
Readability (g)	1	2	5	1/2	2/5	5/10	5/10
Internal Resolution	1/60,000	1/60,000	1/60,000	1/60,000	1/60,000	1/60,000	1/60,000
External Resolution	1/6,000	1/6,000	1/6,000	1/3,000	1/3,000	1/3,000	1/3,000 1/3,200
Max. Tare (kg)	-5.999	-11.998	-29.995	-2.999	-5.998	-14.995	-14.995
Display	94 x 28 mm / 3.7" x 1.1" 6 Digit LED						
Remote Display	94 x 28 mm / 3.7" x 1.1" 6 Digit LED						
Symbols	STABLE, ZERO, TARE, kg, lb, oz						
Keys	ZERO, TARE, FUNCTION						
Functions	Weighing, Unit Conversion, ECR Protocol, Printer Protocol, BLE (Option)						
Dimensions	384(W) x 308.4(D) x 81.8(H) mm						
Platter Size	380(W) x 280(D) mm						
Weight	5.6 kg						
Power	USB 5V or USB Adaptor (5V, 1000mA/Option)						
Operating Temperature	-10°C ~ +40°C / 14°F ~ 104°F						
Option	DEP-50, DLP-50 Printer (RS-232C Only) / BLE Module						

## DIMENSION



PDN Basic Type

PDN Remote Display

PDN User Display Type

Ver. 1.0 025052



CAS Global Homepage

### CAS CORPORATION

CAS BLDG., 1315, YANGJAE-DAERO  
GANGDONG-GU, SEOUL, KOREA  
TEL\_82 2 2225 3500 / FAX\_82 2 475 4668

www.globalcas.com



\* Specifications are subject to change without notice improvement.

