

Explosion Proof Indicator

EXI Series



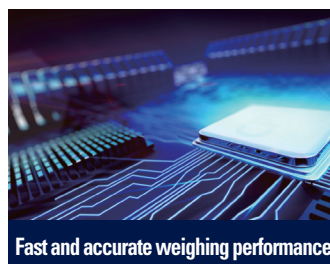
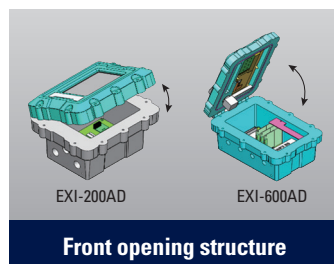
EXI-200AD



EXI-600AD

Explosion Proof Indicator

EXI Series is an explosion-proof indicator that is suitable for explosion-proof platform scale, weighing explosive substances, checker scale and packer scale.



FEATURE

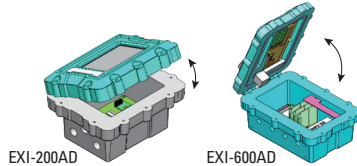
• Explosion Proof Hazardous Area Indicator

- ATEX & KCS Approval
- Use in Zones 1&2 / Zones 21&22



• Front opening structure

- Easy installation & repairing



• Fast and accurate weighing performance

- Sample rate (A/D conversion speed): 5~320times/sec
- Resolution : 1/10,000



• User-friendly Graphic interface (EXI-600AD)

- Use 4.3" Full Graphic TFT LCD
- Display various information (message, data)



• Touch keypad

- Applied Constant voltage touch method



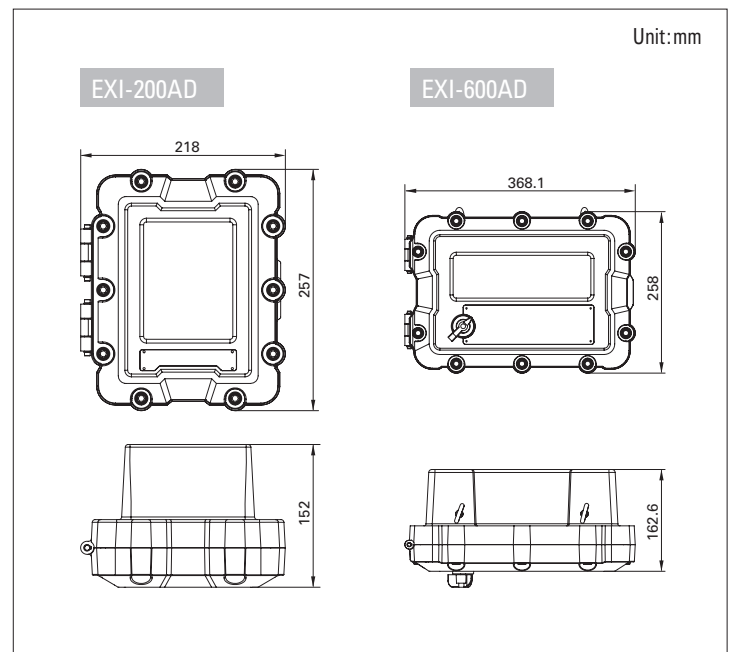
• Variety of interfaces

- Standard
 - RS-232C x 2ea
 - RS-422/485(Stream mode, Command Mode, Modbus RTU) x 1ea
- Option
 - External I/O
 - Analog output
 - BCD output (EXI-600AD)
 - Ethernet

SPECIFICATIONS

Model	EXI-200AD	EXI-600AD
KCS(Korean)	Ex d IIB+H2 T6 (Ex tD A21 T80~120°C IP66)	Ex d IIB+H2 T6 (Ex tD A21 T80~120°C IP66)
ATEX(European)	II 2G Ex D IIB+H2 T6 Gb II 2D Ex tb IIIC T80°C Db	II 2G Ex D IIB+H2 T6 Gb II 2D Ex tb IIIC T80°C Db
Input Sensitivity	0.5 μ V / D(0.2 μ V / D)	0.5 μ V / D(0.3 μ V / D)
Loadcell Input Voltage	DC5V	DC5V
No. of Loadcell Connection	8EA(350ohm)	8EA(350ohm)
No. of Loadcell Connection	0 ~ 2 mV/V	0 ~ 2 mV/V
A/D Conversion Speed	320 times/sec	200 times/sec
Display	7 segment 6digits LED	4.3" Graphic LCD
Interface	RS-232C x 2ea	RS-232C x 2ea
	RS-422/485 (Modbus RTU) x 1ea	
Option	Analog out (4~20mA, 0~10V)	Analog out (4~20mA, 0~10V)
	Ethernet	BCD-OUT
	EXT I/O : 2 inputs, 4 outputs	RS-232C to USB
	-	Ethernet
	-	EXT I/O : 4 inputs, 6 outputs
	-	EXT I/O : 6 inputs, 8 outputs

DIMENSION



APPLICATION

- Steel Industry
- Chemical Plants
- Industrial Plants

